

CX-JT8

SERVICE MANUAL

Ver 1.0 2003.04



*AEP Model
UK Model
E Model
Australian Model*

CX-JT8 is the tuner, amplifier, cassette deck and CD player section in JAX-T8 and JAX-PK8.

SECTION 4 TEST MODE

[COLD RESET]

- The cold reset clears all data including preset data stored in the RAM to initial conditions. Execute this mode when returning the set to the customer.

Procedure:

1. Press the **[POWER]** key to turn the power ON.
2. Press three keys of **[■]**, **[ENTER]** and **[POWER]** simultaneously.
3. The message "RESET" is displayed on the fluorescent indicator tube momentarily, then becomes standby states.

[TUNER STEP CHANGE-OVER]

(Except AEP, UK and CIS models)

- A step of AM channels can be changed over between 9 kHz and 10 kHz.

Procedure:

1. Press the **[POWER]** key to turn the power ON.
2. Press the **[TUNER BAND]** key to select "AM".
3. Press the **[POWER]** key to turn the power OFF.
4. Press two keys of **[ENTER]** and **[POWER]** simultaneously.
5. The message "9K STEP" or "10K STEP" is displayed on the fluorescent indicator tube, and thus the channel step is changed over.

[CD SHIP MODE]

- This mode moves the optical pick-up to the position durable to vibration. Use this mode when returning the set to the customer after repair.

Procedure:

1. Press the **[POWER]** key to turn the power ON.
2. Press the **[CD]** key to select "CD".
3. Press two keys of **[CD]** and **[POWER]** simultaneously.
4. The message "LOCK" is displayed on the fluorescent indicator tube, and the CD ship mode is set.

[CHANGE-OVER FUNCTION OF MD/VIDEO]

- This mode is used to enable function of external input to change over between MD and VIDEO.

Procedure:

1. Set to standby state.
2. Press two keys of **[MD (VIDEO)]** and **[POWER]** simultaneously.
3. The message "MD" or "VIDEO" is displayed on the fluorescent indicator tube, and the function of external input is changed over.

[CD TRAY LOCK MODE]

- This mode is used to unable to take sample disc out of tray in the shop.

Procedure:

1. Press the **[POWER]** key to turn the power ON.
2. Press the **[CD]** key to select "CD".
3. While pressing the **[■]** key, press the **[▲]** key for 5 seconds.
4. The message "LOCKED" is displayed on the fluorescent indicator tube and the tray is locked. (Even if pressing the **[▲]** key, the message "LOCKED" is displayed on the fluorescent indicator tube and the tray is locked)
5. To release from this mode, while pressing the **[■]** key, press the **[▲]** key for 5 seconds.
6. The message "UNLOCKED" is displayed on the fluorescent indicator tube and the tray is unlocked.

[AMP TEST MODE]

- This mode is used to set the parameter of AMP IC for adjustment of tone quality and VACS level and display VACS status.

Procedure:

1. Press the **[POWER]** key to turn the power ON.
2. Press three keys of **[■]**, **[HEAVY]** and **[HIP POP]** simultaneously.
3. When the AMP test mode is activated, the message "AMP TEST" is displayed on the fluorescent indicator tube momentarily.
4. Press two keys of **[HEAVY]** and **[DISC DIRECT PLAY 2]** simultaneously, mode is changed over to parameter setting of AMP IC and display of VACS status.
5. When the VACS ON, the message "V2255255" is displayed on the fluorescent indicator tube, and when the VACS OFF, the message "2255255" is displayed on the fluorescent indicator tube.
6. Press the **[VOCAL]** key, DBFB ON/OFF is changed over.
7. Press the **[ENTER]** key, surround ON/OFF is changed over.
8. Press the **[MANUAL]** key, EQ band is changed over to LOW, MID or HIGH.
9. Press the **[HIP POP]** and **[TECHNO]** key, EQ curve adjustment value is changed over between -8dB to +8dB.
10. To release from this mode, press two keys of **[HEAVY]** and **[TECHNO]** simultaneously.

[AGING MODE]

- This mode can be used for operation check of CD section and tape deck section.
CD section and tape deck section work in parallel.

If an error occurred:

The aging operation stops only an error occurred sections and display then status.

If no error occurs:

The aging operation continues repeatedly.

Procedure:

1. Press the [POWER] key to turn the power ON.
2. Press the [CD] key to select "CD".
3. Set disc on the tray and set tape into the deck.
4. Set the "ALL DISCS" mode and "REV OFF" mode.
5. Press three keys of [STOP], [HEAVY] and [DISC CHANGE/DISC SKIP] simultaneously.
6. The message "AGING" is displayed on the fluorescent indicator tube momentarily, then aging operations of CD and tape are started at the same time.
7. To release from this mode, operate the "COLD RESET".

1. Display at the Aging Mode

Display operating state of CD section and tape deck section alternately.

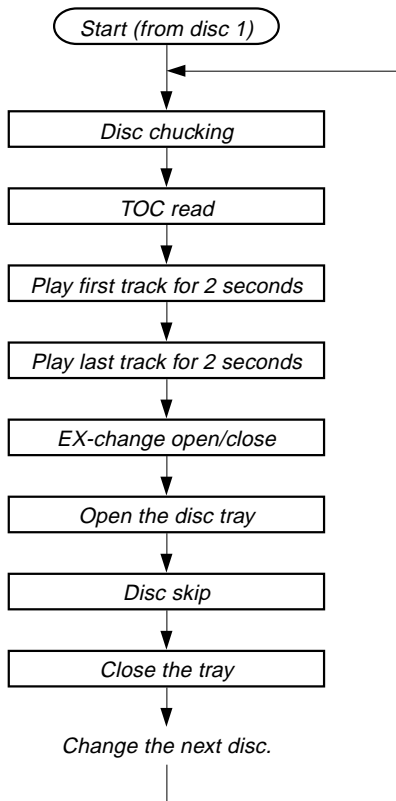
If an error occurred, stop display which that section.

2. CD Section

The sequence during the aging mode is following as below.

Display at the aging mode is the same as the normal operation.

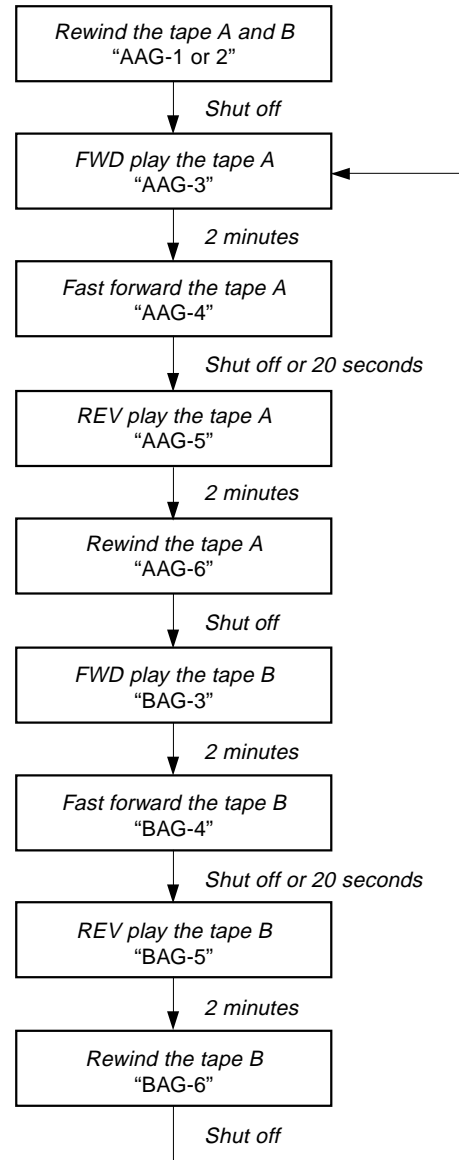
Aging mode sequence (CD section) :



3. Tape Deck Section

The sequence during the aging mode is following as below.
If an error occurred, stop display that step.

Aging mode sequence (tape deck section) :



Note: "*AG-*" is display of each step.

[GC TEST MODE]

- This mode is used to check the fluorescent indicator tube, LED and key.

Procedure:

1. Press the **[POWER]** key to turn the power ON.
2. Press three keys of **[■]**, **[HEAVY]** and **[DISC DIRECT PLAY 2]** simultaneously.
3. Fluorescent indicator tube and LEDs are all turned ON.
4. Press two keys of **[HEAVY]** and **[DISC DIRECT PLAY 2]** simultaneously, mode is changed over.
5. In the key check mode, press each key, the defined key number of every each key list is displayed on the fluorescent indicator tube.
6. In the key count check mode, "K-CNT 0" is displayed on the fluorescent indicator tube. Each time a key is pressed, "K" value increases. However, once a key is pressed, it is no longer taken into account.
7. In the headphone input check mode, connect the headphone, the message "H_P ON" is displayed on the fluorescent indicator tube, and disconnect the headphone, the message "H_P OFF" is displayed on the fluorescent indicator tube.
8. In the volume check mode, turn the **[VOLUME]** knob, the display on the fluorescent indicator tube is changed over to "VOL UP", "VOL FLAT" or "VOL DOWN"

[MC TEST MODE]

- This mode is used to check operations of Amplifier.

Procedure:

1. Press the **[POWER]** key to turn the power ON.
2. Press three keys of **[■]**, **[HEAVY]** and **[DISC DIRECT PLAY 3]** simultaneously.
3. When the MC test mode is activated, the message "MC MODE" is displayed on the fluorescent indicator tube momentarily, then VACS level is displayed on the fluorescent indicator tube.
4. Press the **[TECHNO]** key, the display on the fluorescent indicator tube is changed over to "EQ MAX", press the **[MANUAL]** key, the display on the fluorescent indicator tube is changed over to "EQ MID", press the **[HIP POP]** key, the display on the fluorescent indicator tube is changed over to "EQ MIN",
5. Turn the **[VOLUME]** knob, the display on the fluorescent indicator tube is changed over to "VOL MAX", "VOL MID" or "VOL MIN"
6. Press the **[ENTER]** key, VACS ON/OFF is changed over.
7. When the **[REC PAUSE/START]** key is pressed with a tape set in the deck-B, the function is switched "MD" or "VIDEO" and recording starts. When the **[◀▶]** or **[▶▶]** key is pressed during recording, the tape is rewind back to the beginning of recording, the function is switched to "TAPE B", then playback starts.
8. When the **[CD SYNC]** key is pressed with the test tape (AMS-100, AMS-110A) in the deck, number of space between tunes is counted, then if AMS-110A is set, "OK" is displayed on the fluorescent indicator tube and if AMS-100 is set, "NG" is displayed on the fluorescent indicator tube.
9. To release from this mode, press the **[POWER]** key.

[MODEL, DESTINATION AND VERSION DISPLAY]

- This mode is used to check the model, destination and software version.

Procedure:

1. Set to the standby state.
2. Press three keys of **[■]**, **[TECHNO]** and **[HEAVY]** simultaneously.
3. When the model, destination and version display mode is activated, the model and destination is displayed on the fluorescent indicator tube.
4. Press two keys of **[HEAVY]** and **[DISC DIRECT PLAY 2]** simultaneously, mode is changed over to model and destination display mode and version display mode.
5. In the version display mode, press the **[DISC DIRECT PLAY 3]** key, display is changed over to version display and year, month and day of the software creation display.
6. To release from this mode, press the two keys of **[TECHNO]** and **[HEAVY]** simultaneously.

[CD ERROR CODE DISPLAY]

- This mode can be used for error display of CD section.

Procedure:

1. Press the **[POWER]** key to turn the power ON.
2. Press the **[CD]** key to select "CD".
3. Press three keys of **[■]**, **[HEAVY]** and **[DISC DIRECT PLAY 1]** simultaneously.

Note: Error code is not displayed on the liquid crystal display.

[CD SERVICE MODE]

- This mode can run the CD sled motor freely. Use this mode, for instance, when cleaning the optical pick-up.

Procedure:

1. Press the **[POWER]** key to turn the power ON.
2. Press the **[CD]** key to select "CD".
3. Press three keys of **[■]**, **[HEAVY]** and **[▲]** simultaneously.
4. When the CD service mode is activated, the message "TRVS ON" is displayed on the fluorescent indicator tube.
5. Press the **[▶▶]** key, optical pick-up move to outside track and the message "SLED OUT" is displayed on the fluorescent indicator tube.
6. Press the **[◀◀]** key, optical pick-up move to inside track and the message "SLED IN" is displayed on the fluorescent indicator tube..
7. Press the **[TECHNO]** key, traverse ON/OFF is changed over.

[5 REPEAT LIMIT CANCEL]

- Number of repeat for CD playback is 5 times when the repeat mode is "REPEAT". This mode is used to enables CD to repeat playback for limitless times.

Procedure:

1. Press the **[POWER]** key to turn the power ON.
2. Press the **[CD]** key to select "CD".
3. Press three keys of **[■]**, **[HEAVY]** and **[◀▶]** simultaneously.

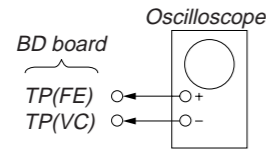
SECTION 5 ELECTRICAL ADJUSTMENTS

CD SECTION

Note:

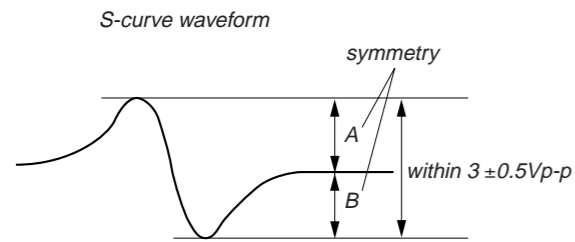
1. CD Block is basically designed to operate without adjustment. Therefore, check each item in order given.
2. Use YEDS-18 (3-702-101-01) unless otherwise indicated.
3. Use an oscilloscope with more than 10MΩ impedance.
4. Clean the object lens by an applicator with neutral detergent when the signal level is low than specified value with the following checks.

S-CURVE CHECK



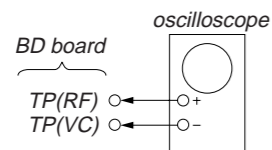
Procedure :

1. Connect an oscilloscope to TP (FE) and TP (VC).
2. Turn the power on.
3. Load a disc (YEDS-18) and actuate the focus search. (In consequence of open and close the disc tray, actuate the focus search)
4. Confirm that the oscilloscope waveform (S-curve) is symmetrical between A and B. And confirm peak to peak level within 3 ± 0.5 Vp-p.



- Note:**
- Try to measure several times to make sure than the ratio of A : B or B : A is more than 10 : 7.
 - Take sweep time as long as possible and light up the brightness to obtain best waveform.

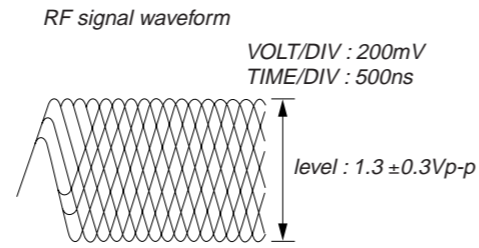
RF LEVEL CHECK



Procedure :

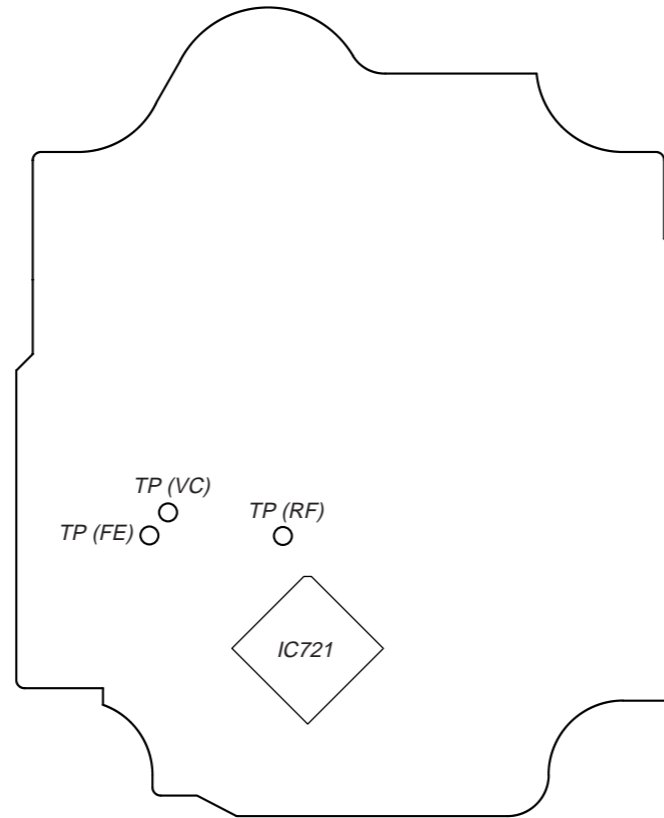
1. Connect an oscilloscope to TP (RF) and TP (VC).
2. Turn the power on.
3. Load a disc (YEDS-18) and playback.
4. Confirm that oscilloscope waveform is clear and check if RF signal level is correct or not.

Note: Clear RF signal waveform means that the shape “◇” can be clearly distinguished at the center of the waveform.



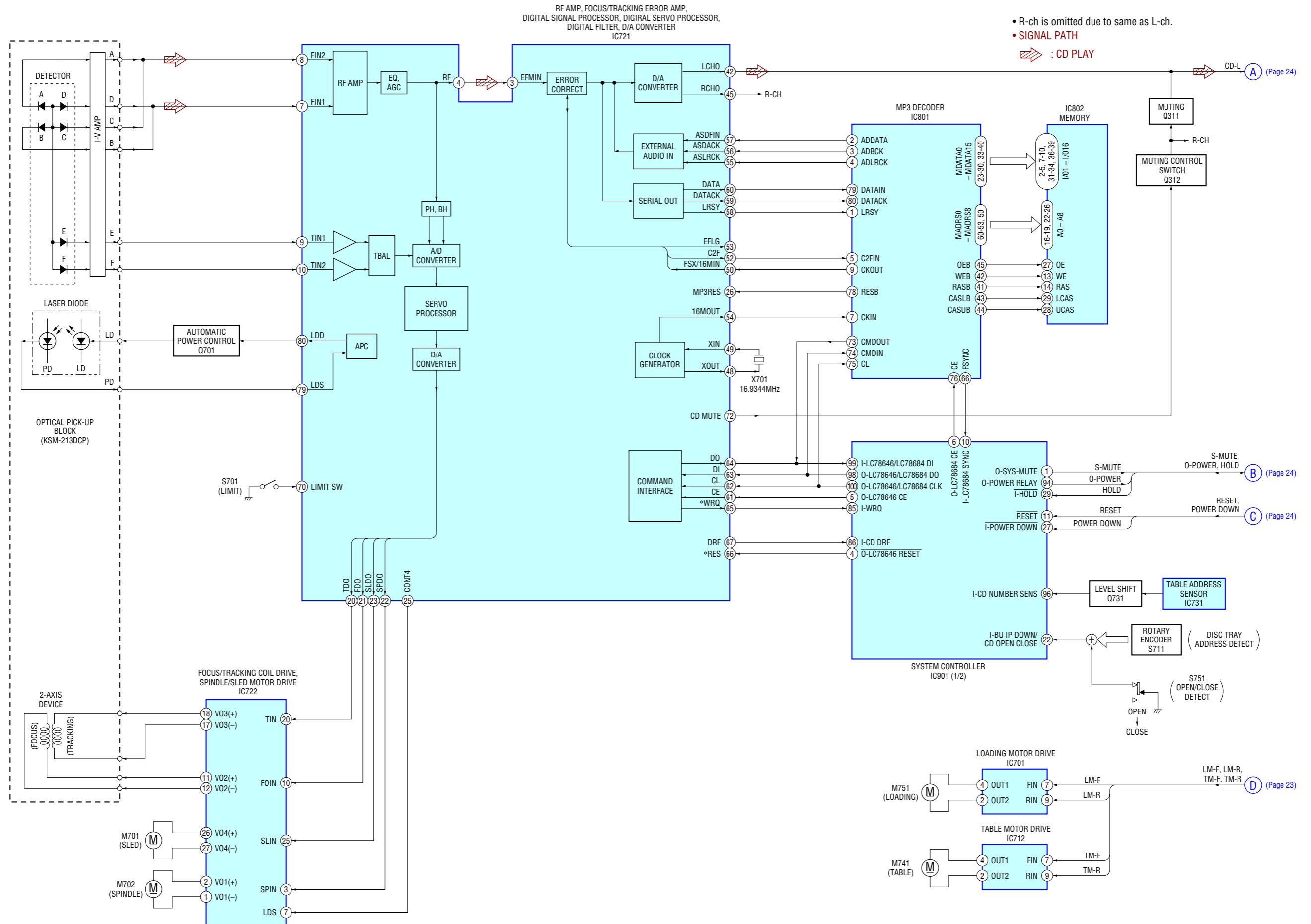
Connecting Location: BD board

– BD Board (Conductor side) –

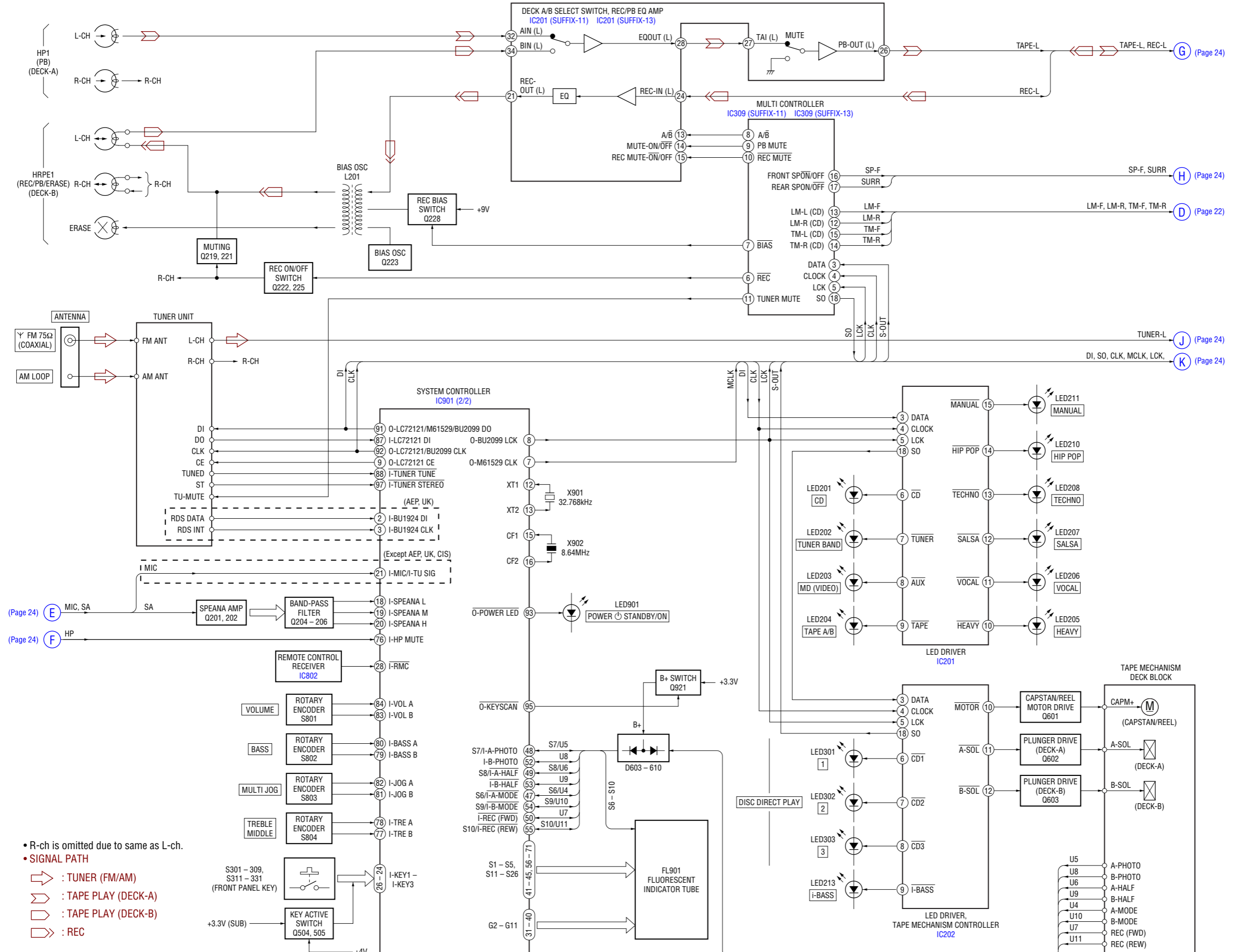


SECTION 6
DIAGRAMS

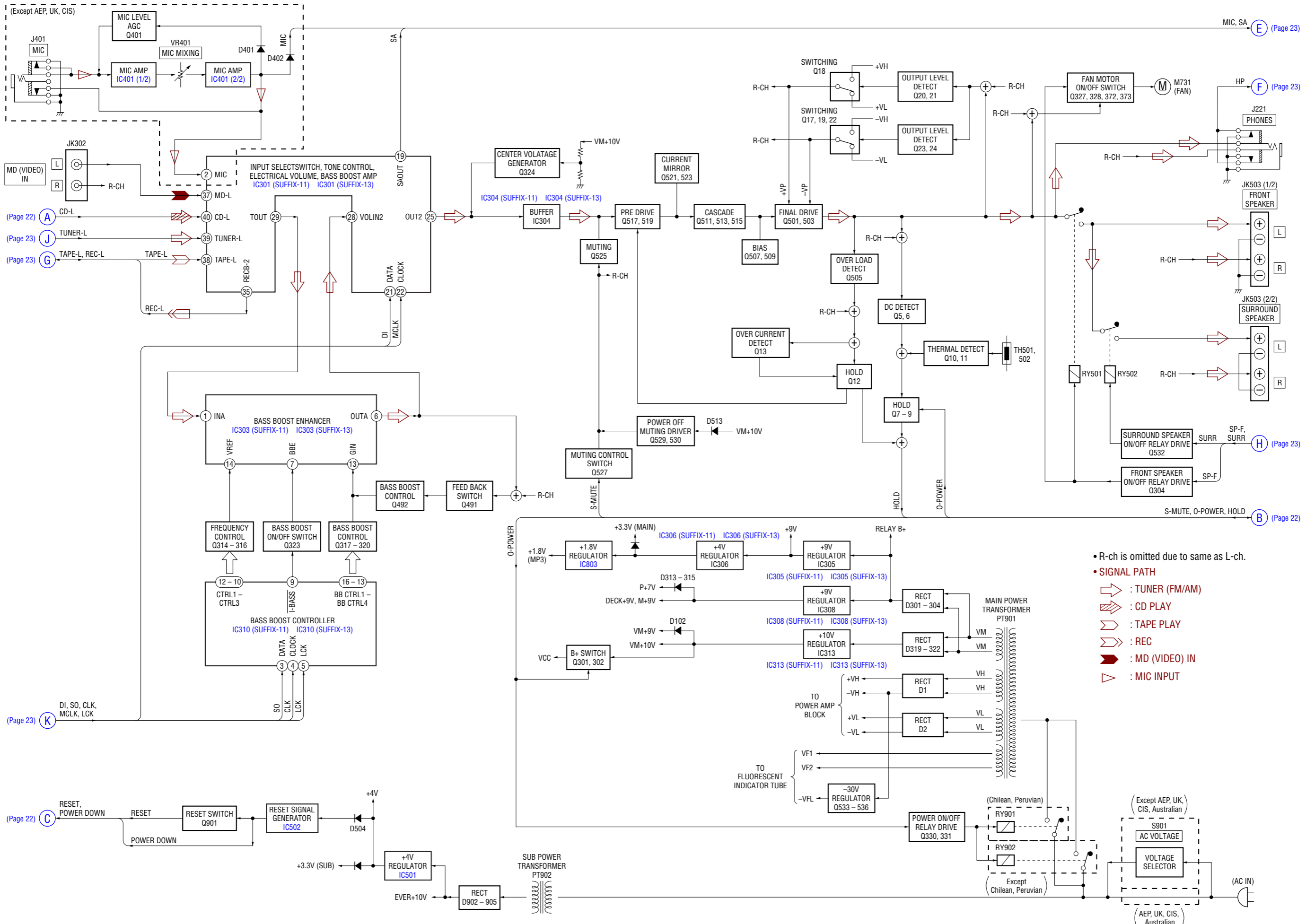
6-1. BLOCK DIAGRAM – CD Section –



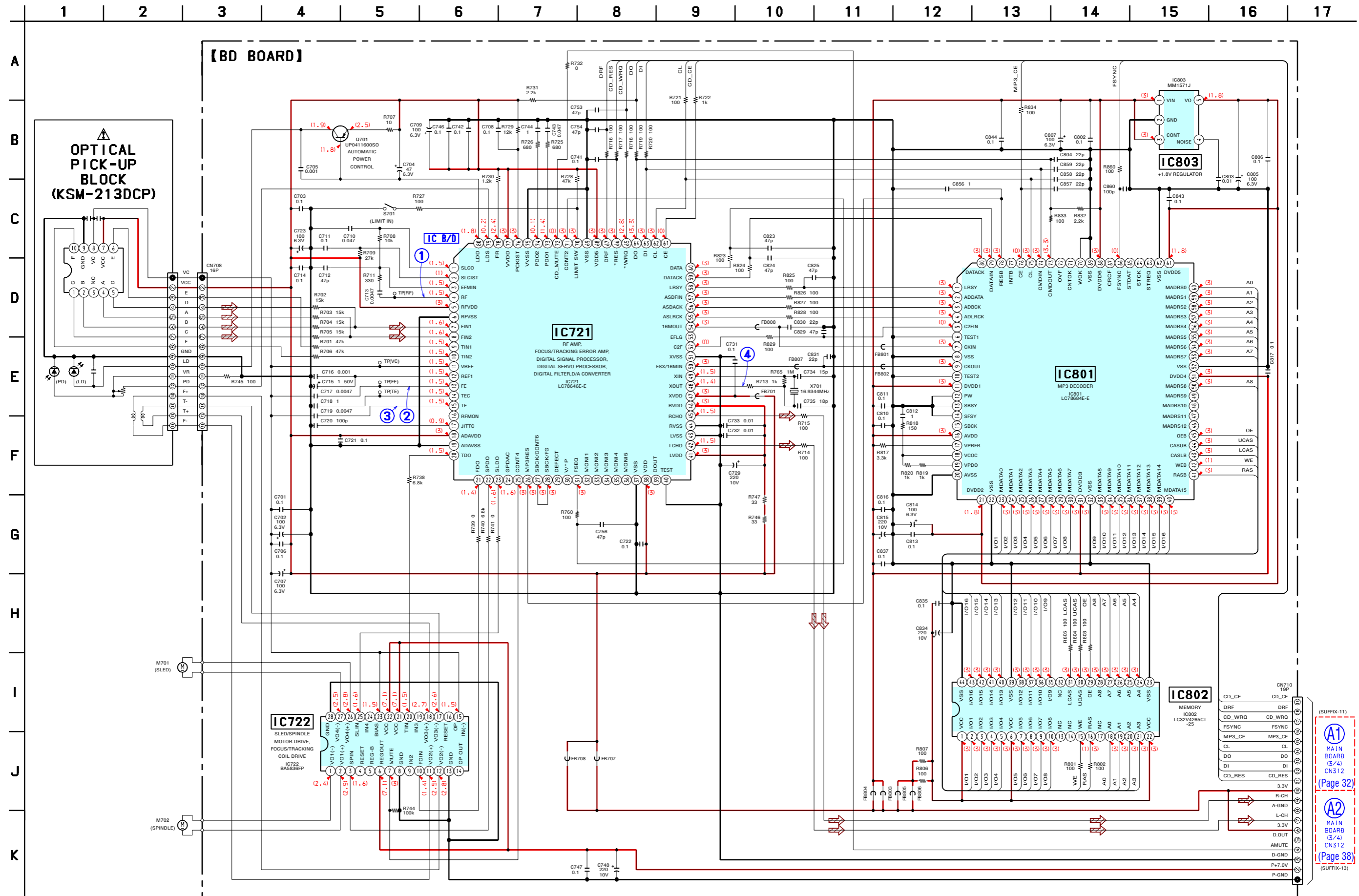
6-2. BLOCK DIAGRAM – TUNER/TAPE/PANEL Section –



6-3. BLOCK DIAGRAM – AMP/POWER SUPPLY Section –



6-6. SCHEMATIC DIAGRAM – BD Board – • See page 52 for IC Block Diagrams. • See page 52 for Waveforms.



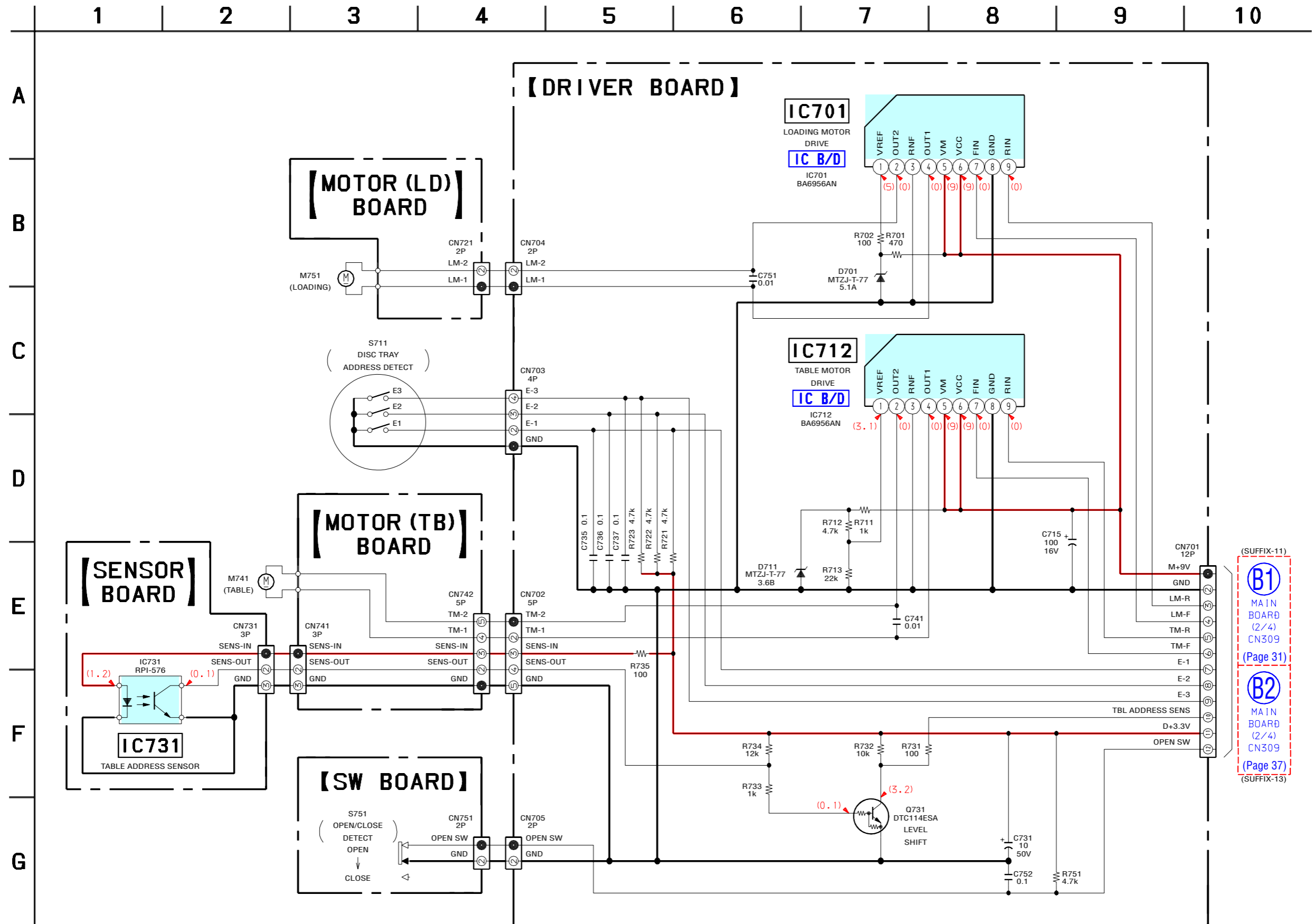
The components identified by mark Δ or dotted line with mark Δ are critical for safety. Replace only with part number specified.

(SUFFIX-11)

A1
MAIN BOARD (S/4) CN512 (Page 32)

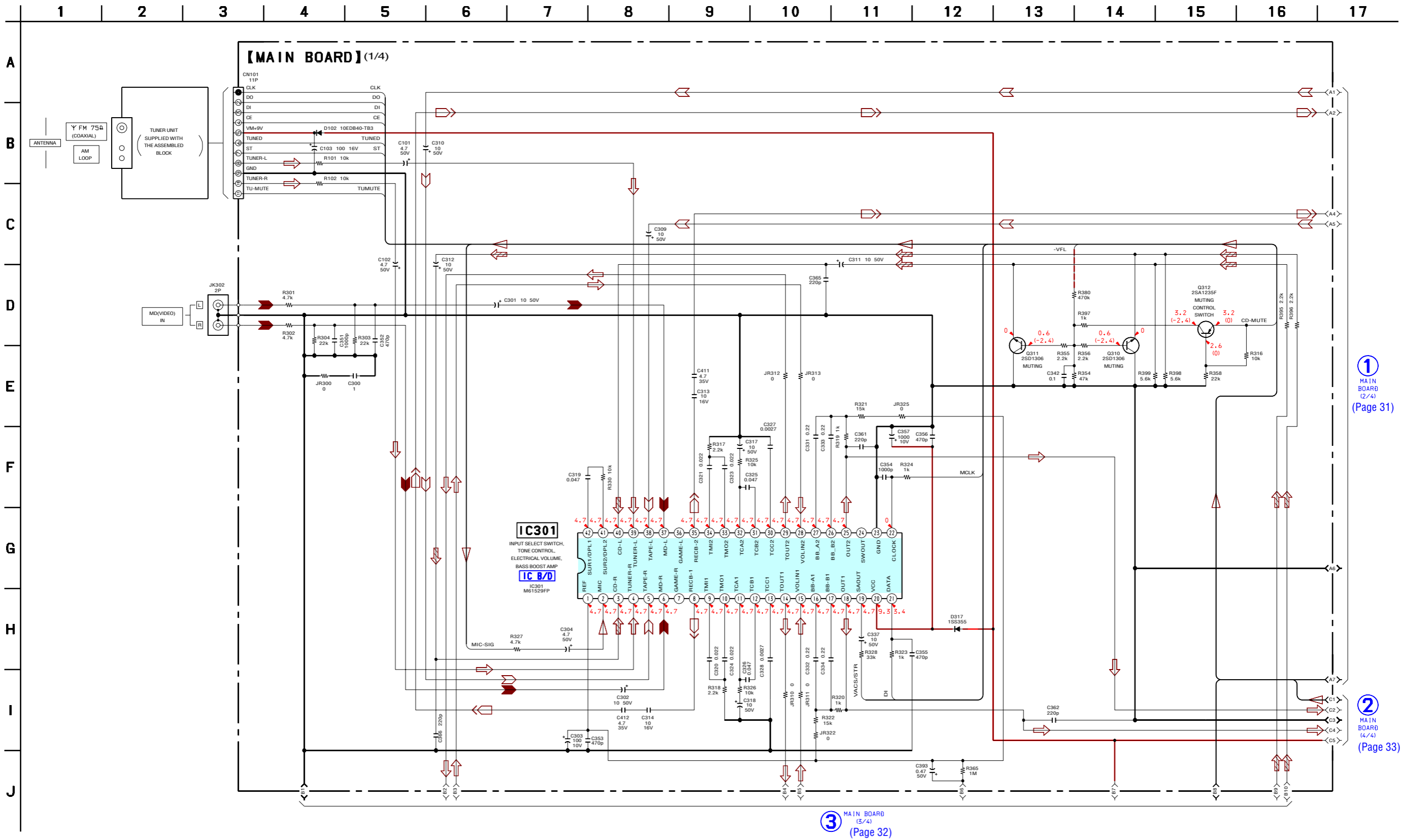
A2
MAIN BOARD (S/4) CN512 (Page 38) (SUFFIX-13)

6-8. SCHEMATIC DIAGRAM – CHANGER Section – • See page 52 for IC Block Diagrams.

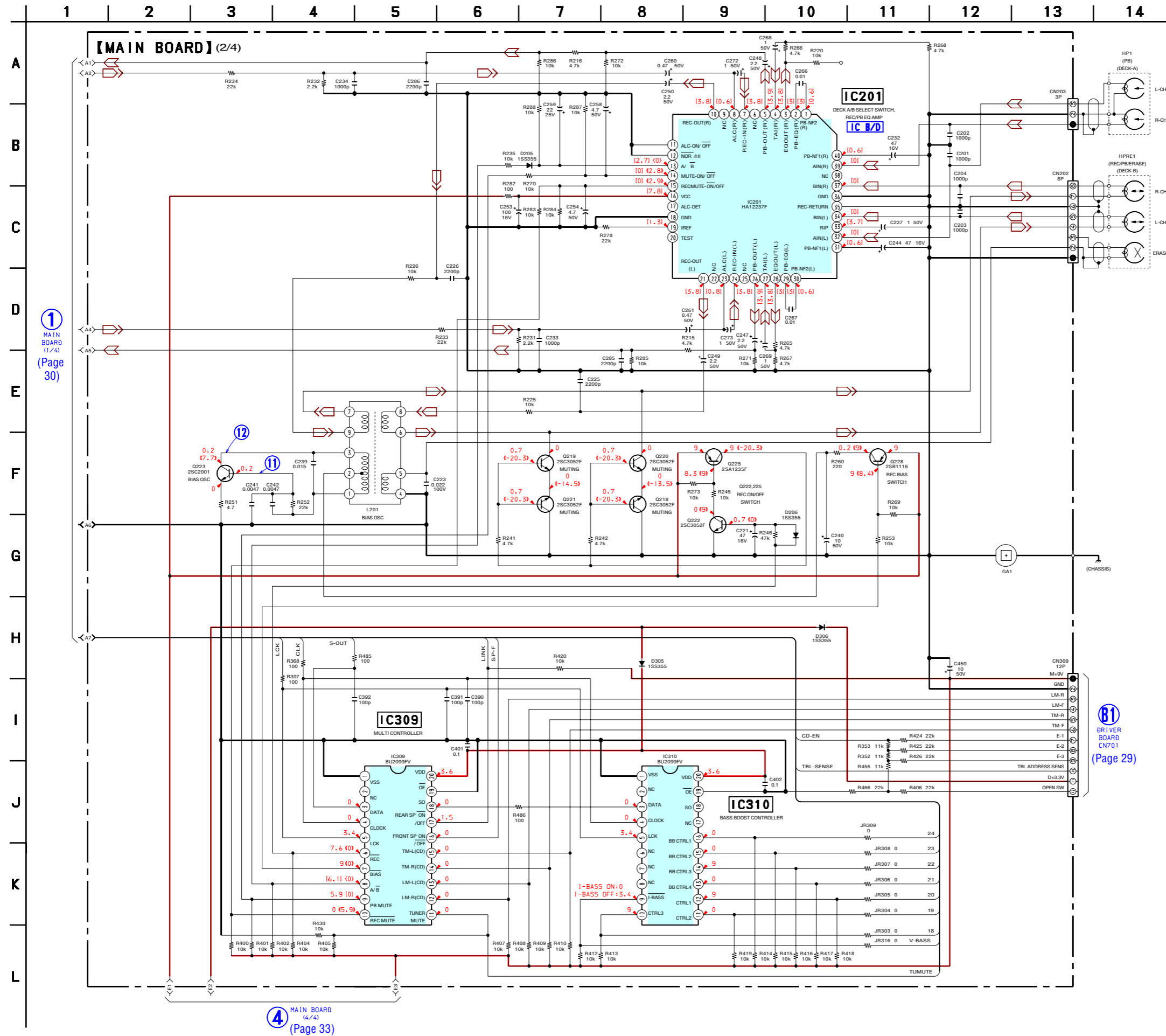


(SUFFIX-11)
(B1)
 MAIN BOARD (2/4)
 CN309
 (Page 31)
(B2)
 MAIN BOARD (2/4)
 CN309
 (Page 37)
 (SUFFIX-13)

6-9. SCHEMATIC DIAGRAM – MAIN Board (1/4) (Suffix-11) – • See page 52 for IC Block Diagram.



6-10. SCHEMATIC DIAGRAM – MAIN Board (2/4) (Suffix-11) – • See page 52 for IC Block Diagram. • See page 52 for Waveforms.

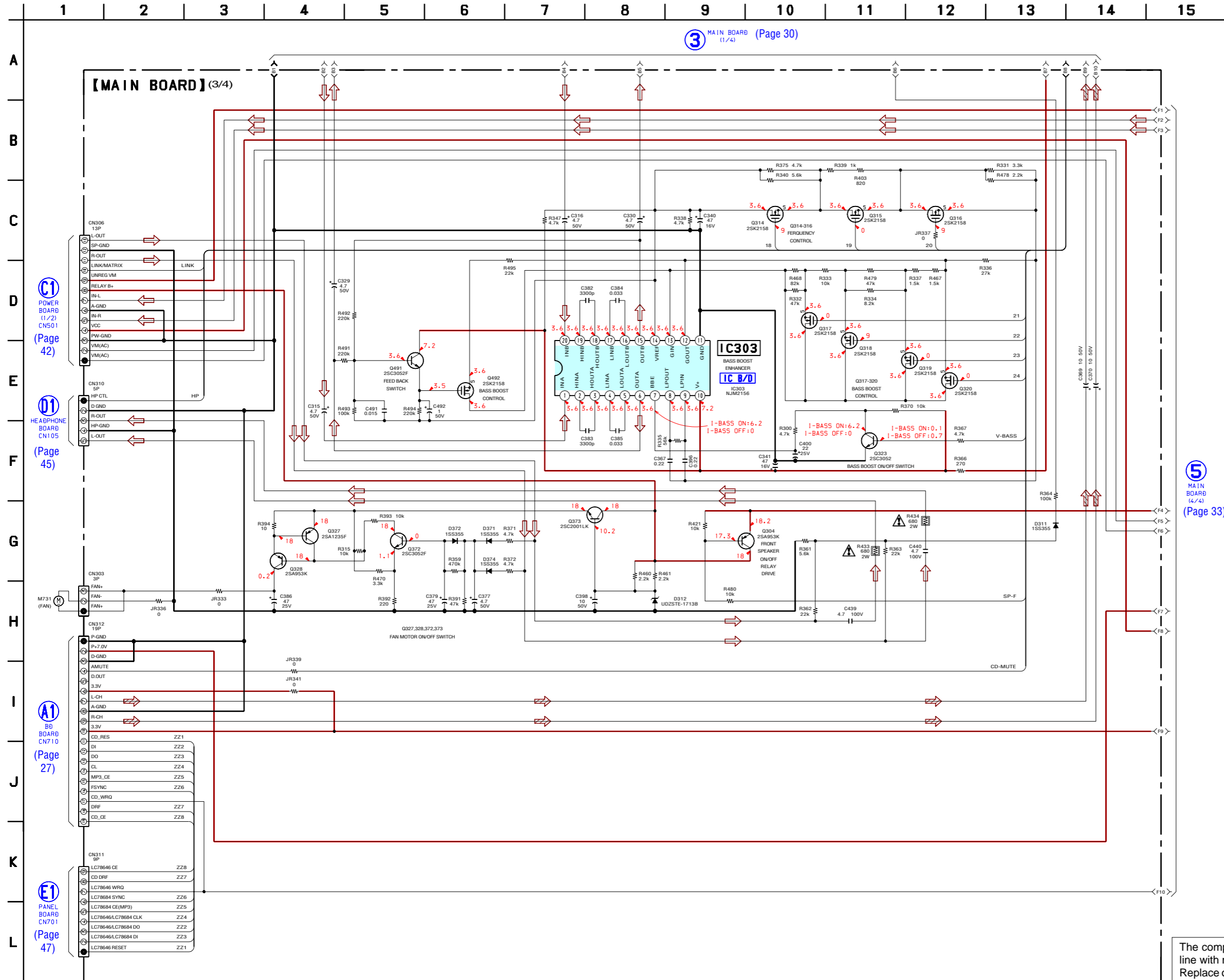


1 MAIN BOARD (1/4) (Page 30)

81 DRIVER BOARD CN701 (Page 29)

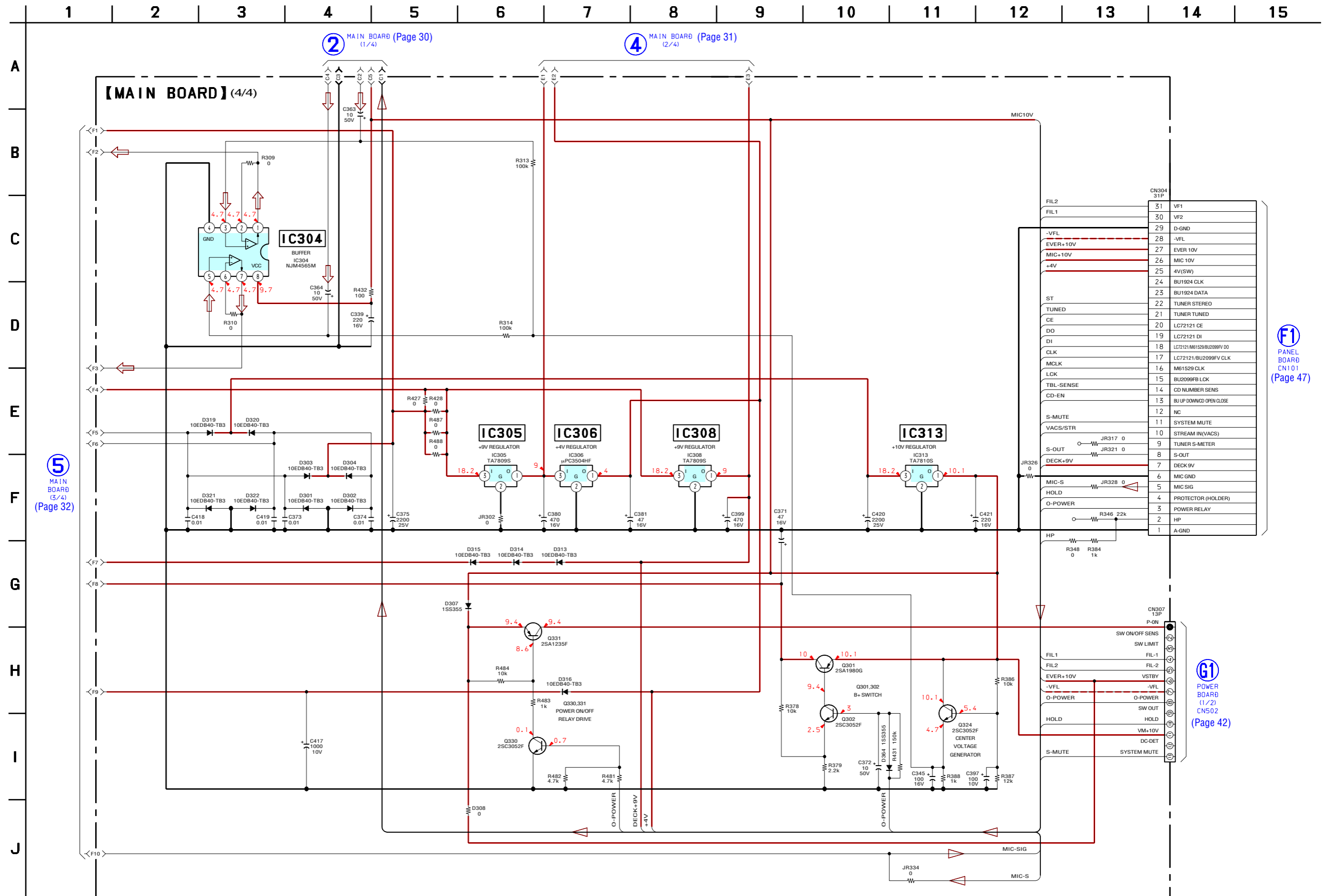
4 MAIN BOARD (4/4) (Page 33)

6-11. SCHEMATIC DIAGRAM – MAIN Board (3/4) (Suffix-11) – • See page 52 for IC Block Diagram.



The components identified by mark \triangle or dotted line with mark \triangle are critical for safety. Replace only with part number specified.

6-12. SCHEMATIC DIAGRAM – MAIN Board (4/4) (Suffix-11) –



CN304 31P	
FIL2	31 VF1
FIL1	30 VF2
-VFL	29 D-GND
EVER+10V	28 -VFL
MIC+10V	27 EVER 10V
+4V	26 MIC 10V
	25 4V(SW)
	24 BU1924 CLK
ST	23 BU1924 DATA
TUNED	22 TUNER STEREO
CE	21 LC72121 CE
DO	20 LC72121 DI
DI	19 LC72121 M61529/BU2099FV DO
CLK	18 LC72121/BU2099FV CLK
MCLK	17 M61529 CLK
LCK	16 BU2099FB LCK
TBL-SENSE	15 CD NUMBER SENS
CD-EN	14 BU UP/DOWN/CD OPEN/CLOSE
	13 NC
S-MUTE	12 SYSTEM MUTE
VACS/STR	11 STREAM IN(VACS)
S-OUT	10 TUNER S-METER
DECK+9V	9 S-OUT
	8 DECK 9V
MIC-S	7 MIC GND
HOLD	6 MIC SIG
O-POWER	5 PROTECTOR (HOLDER)
	4 POWER RELAY
	3 HP
	2 A-GND

F1
PANEL BOARD
CN101
(Page 47)

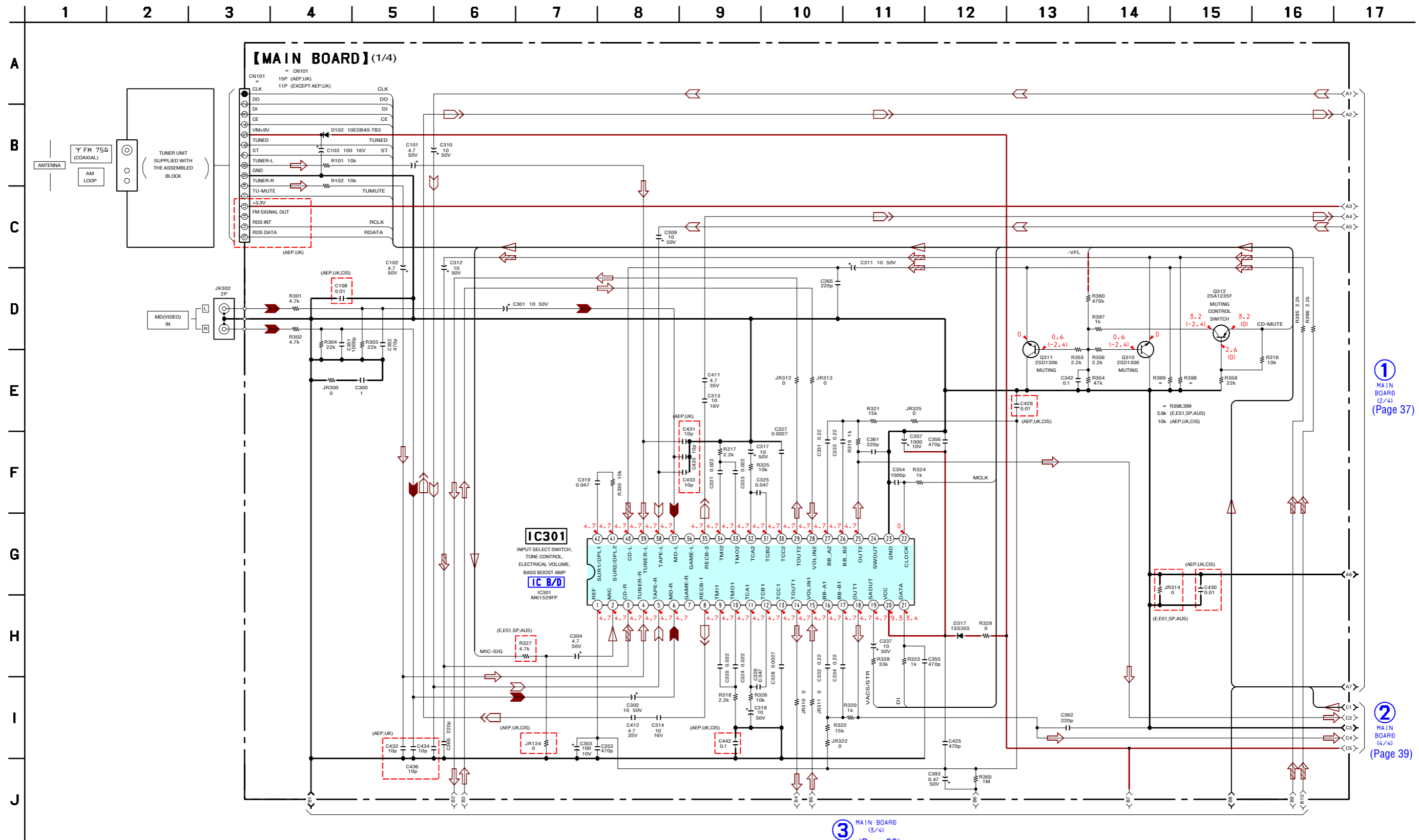
G1
POWER BOARD
(1/2)
CN502
(Page 42)

5
MAIN BOARD
(3/4)
(Page 32)

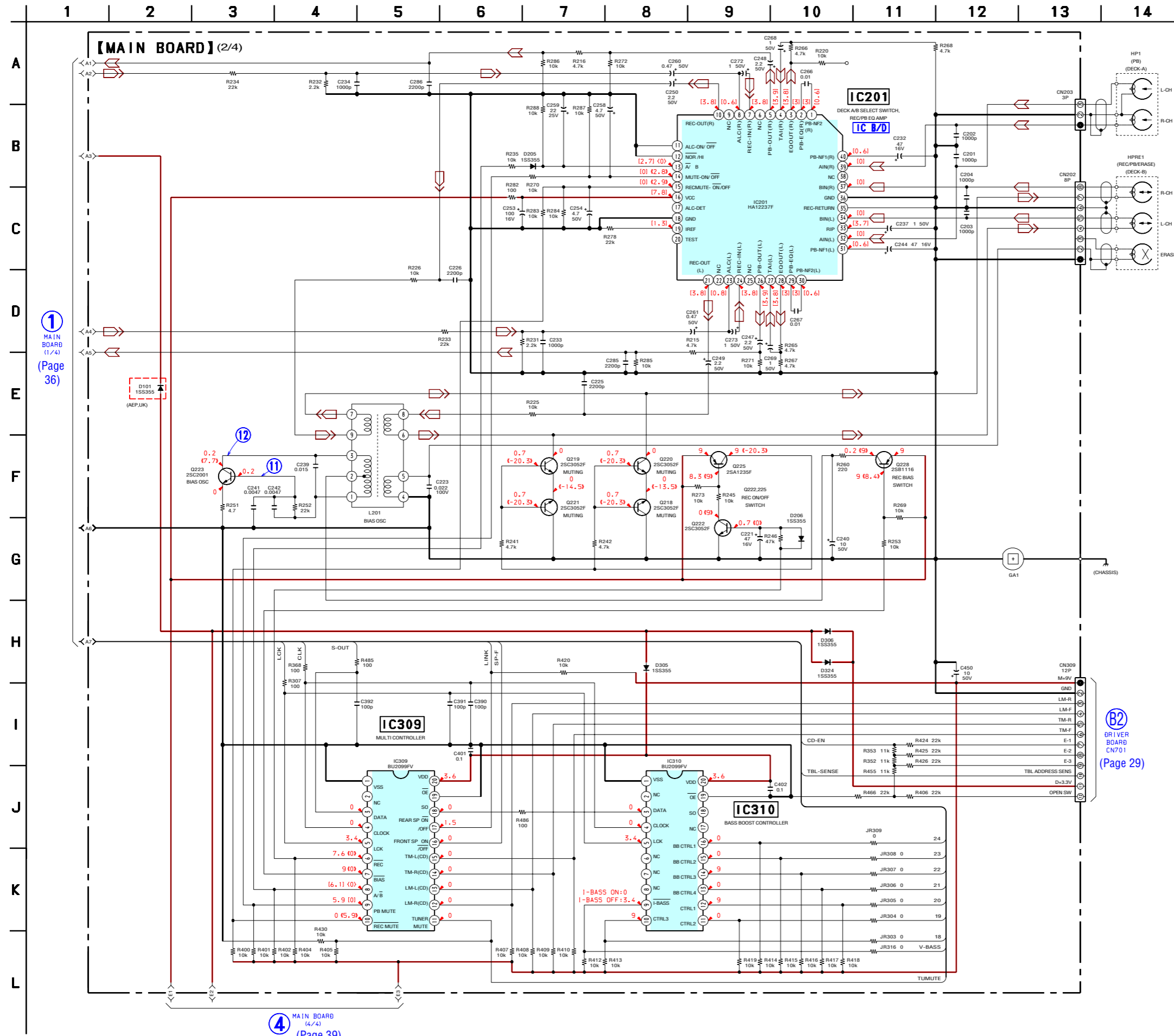
2
MAIN BOARD
(1/4)
(Page 30)

4
MAIN BOARD
(2/4)
(Page 31)

6-15. SCHEMATIC DIAGRAM – MAIN Board (1/4) (Suffix-13) – • See page 52 for IC Block Diagram.



6-16. SCHEMATIC DIAGRAM – MAIN Board (2/4) (Suffix-13) – • See page 52 for IC Block Diagram. • See page 52 for Waveforms.

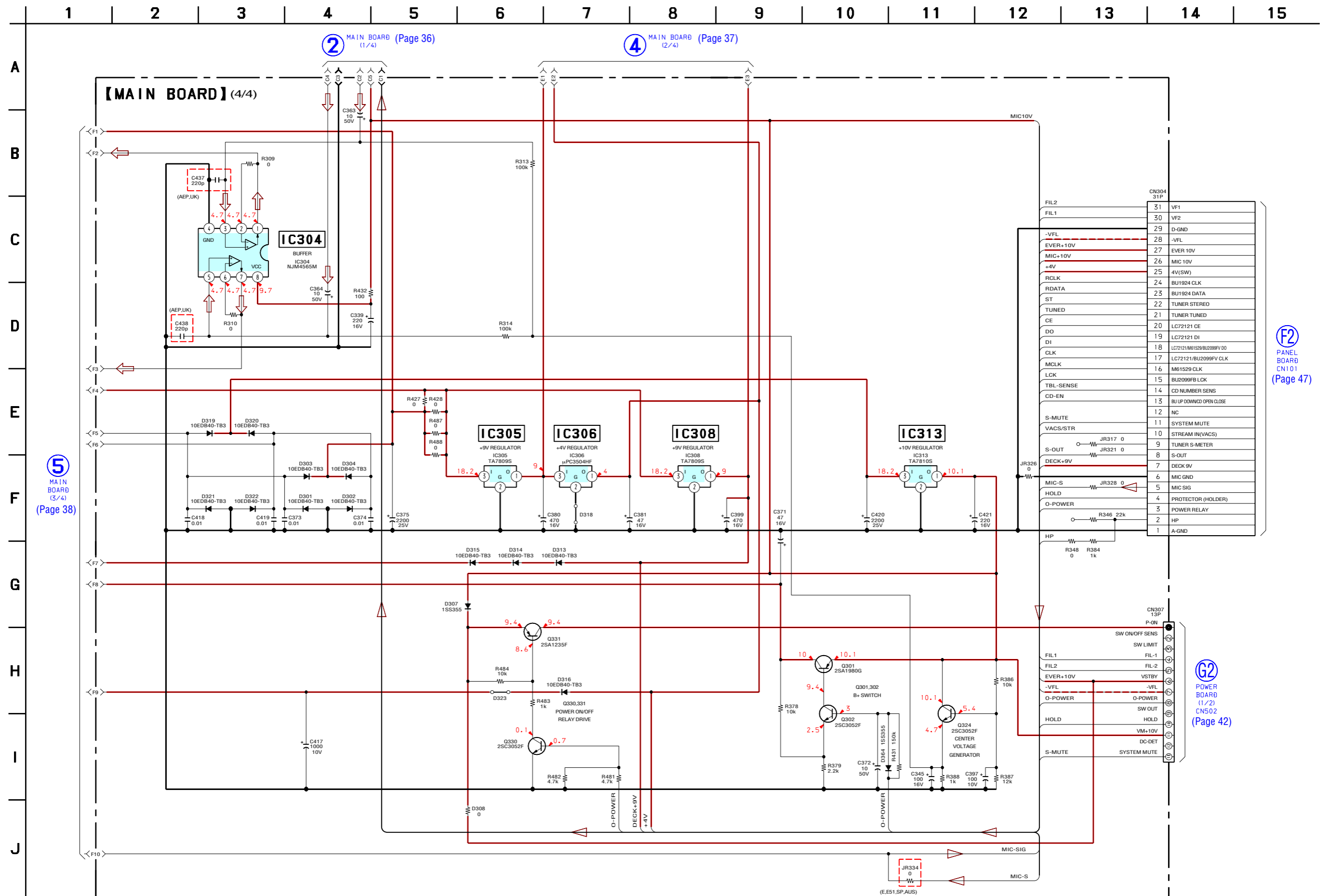


1 MAIN BOARD (1/4) (Page 36)

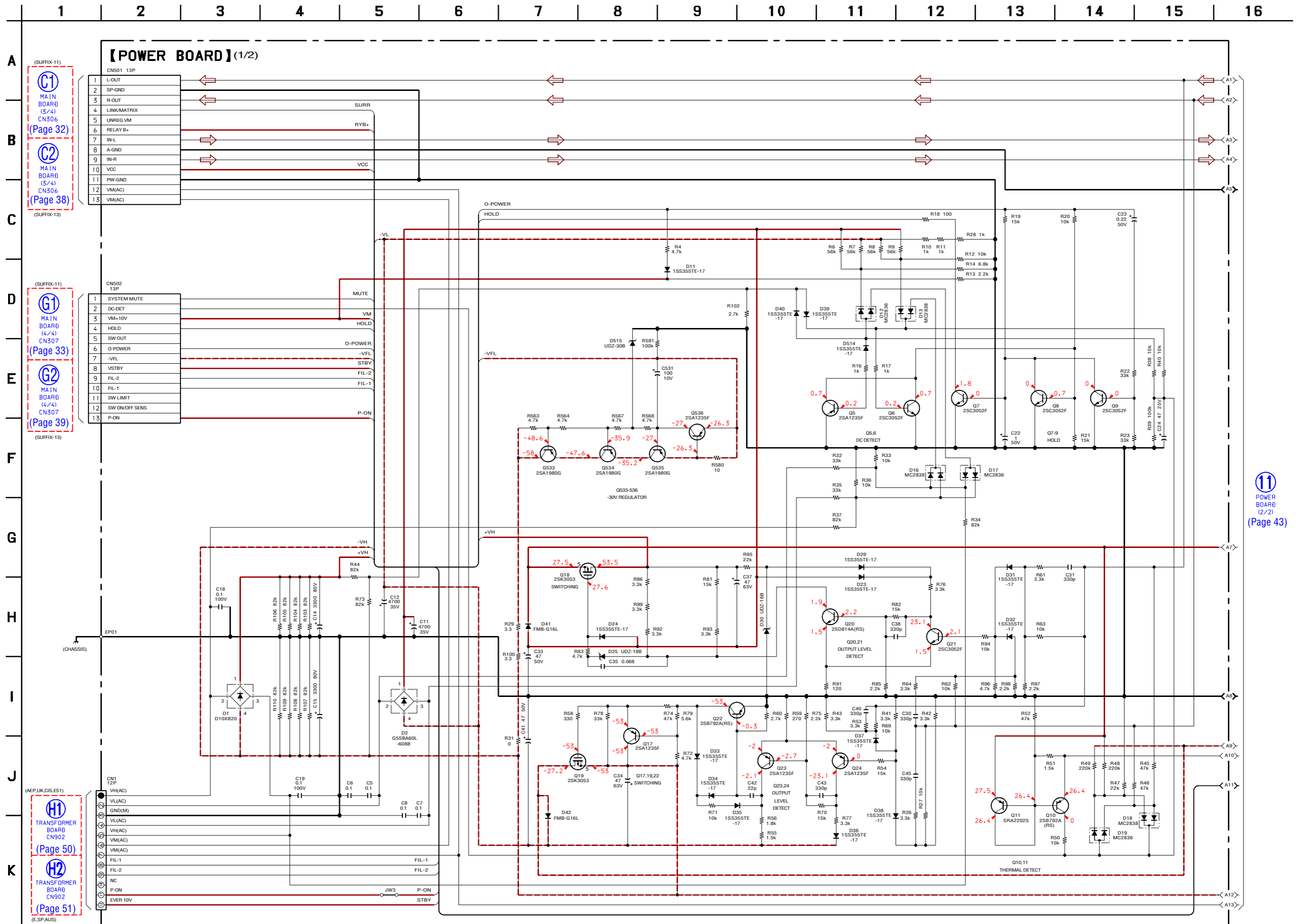
4 MAIN BOARD (4/4) (Page 39)

B2 DRIVER BOARD CN701 (Page 29)

6-18. SCHEMATIC DIAGRAM – MAIN Board (4/4) (Suffix-13) –

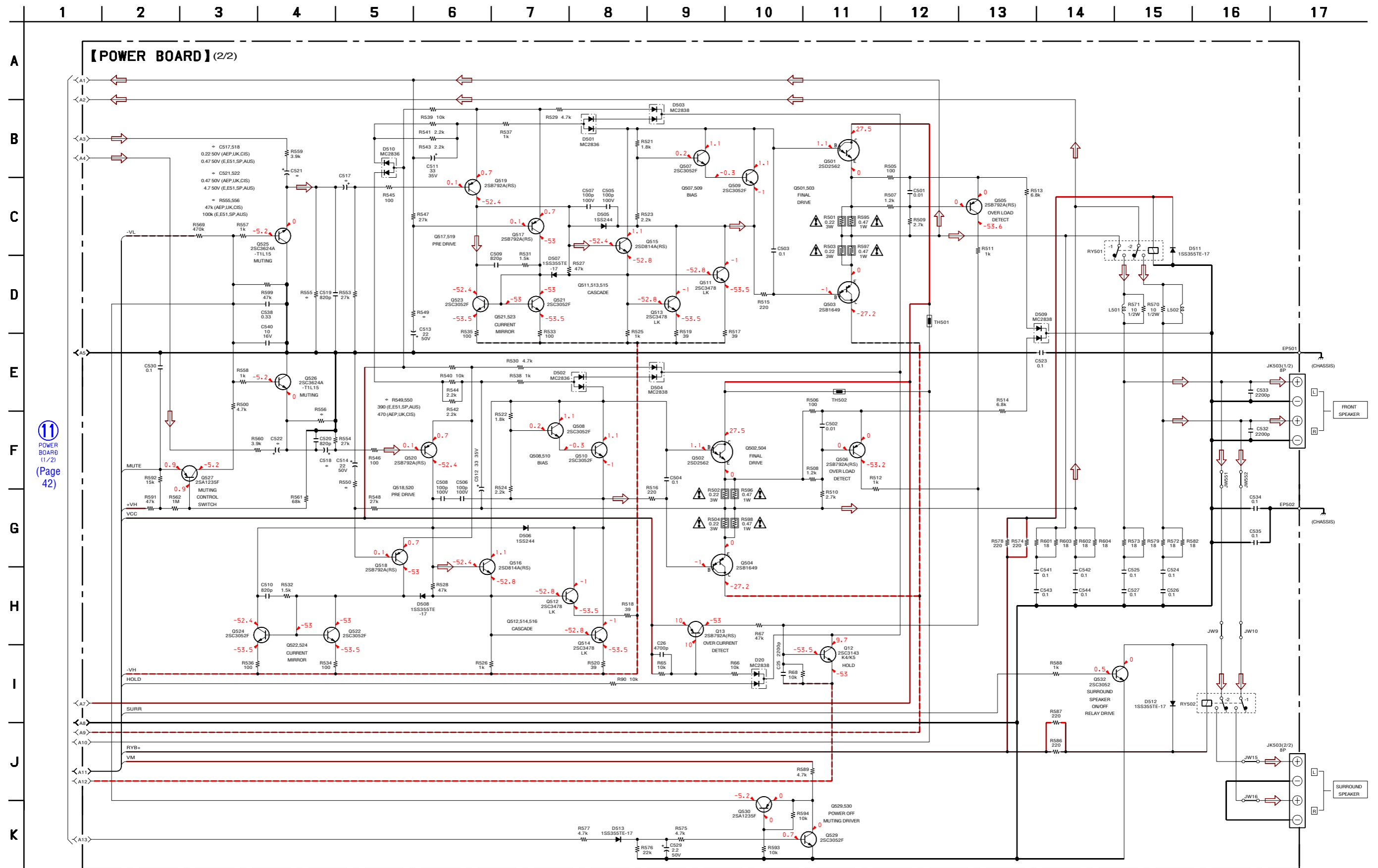


6-21. SCHEMATIC DIAGRAM – POWER Board (1/2) –



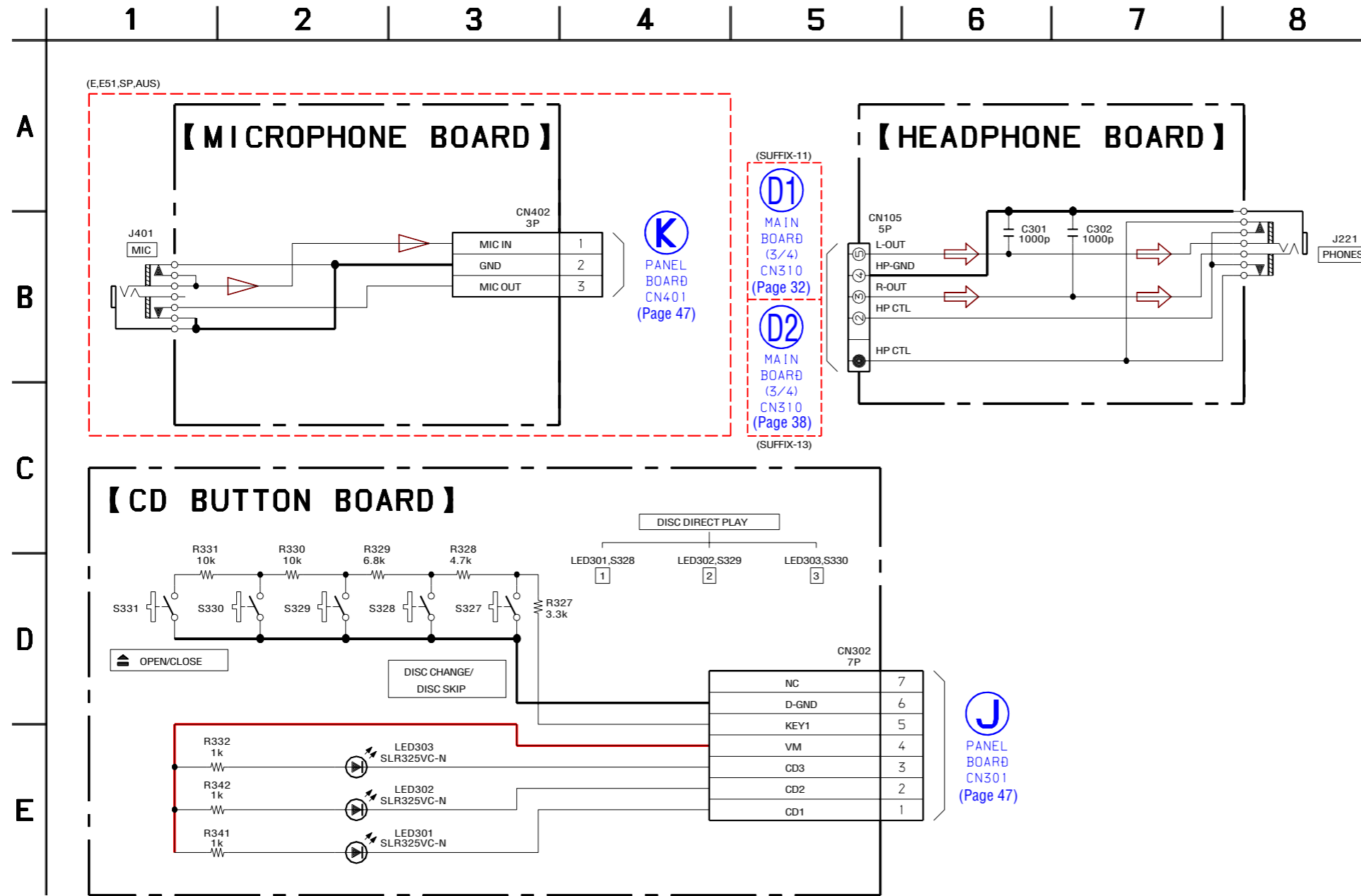
11 POWER BOARD (2/2) (Page 43)

6-22. SCHEMATIC DIAGRAM – POWER Board (2/2) –

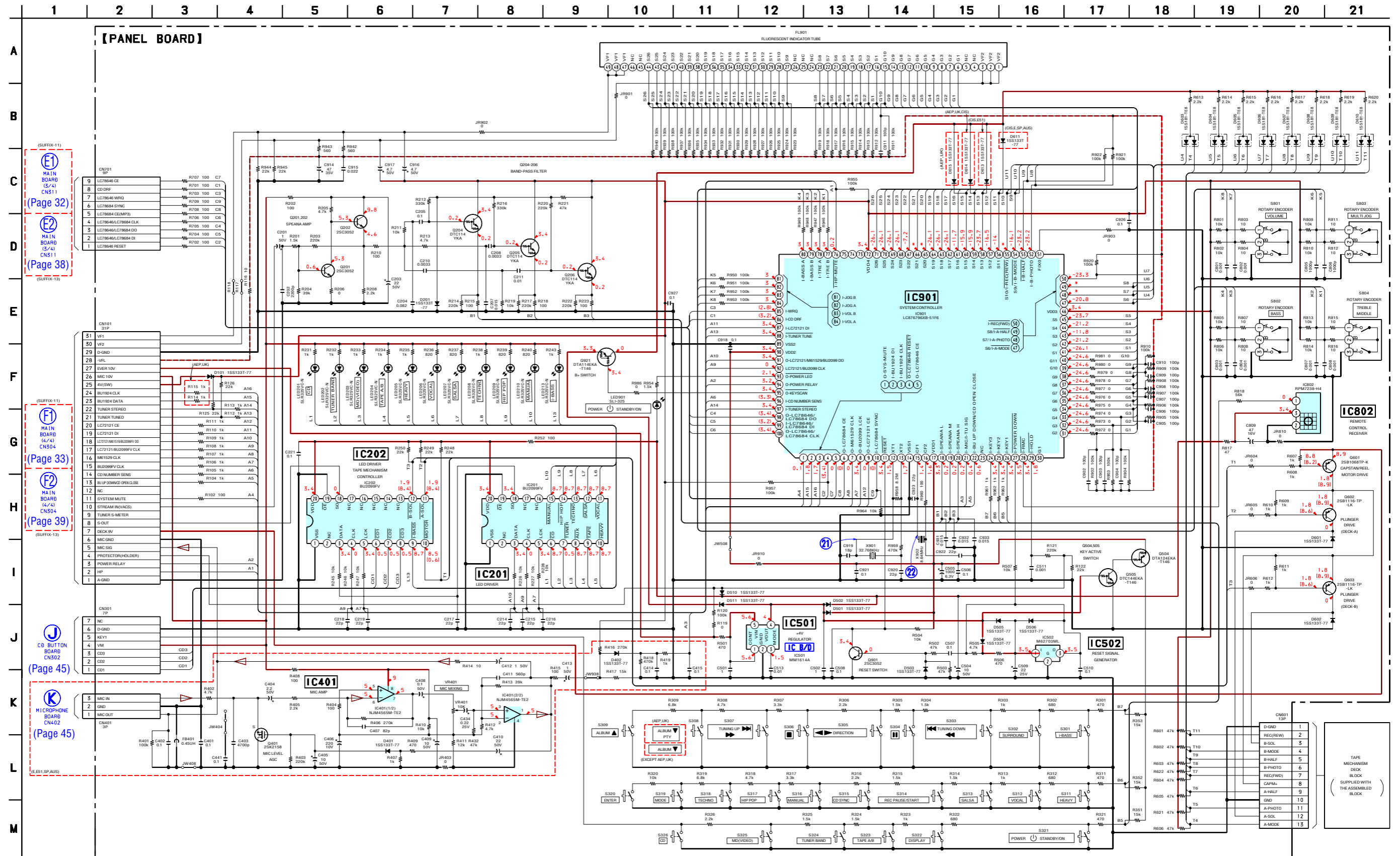


The components identified by mark Δ or dotted line with mark Δ are critical for safety. Replace only with part number specified.

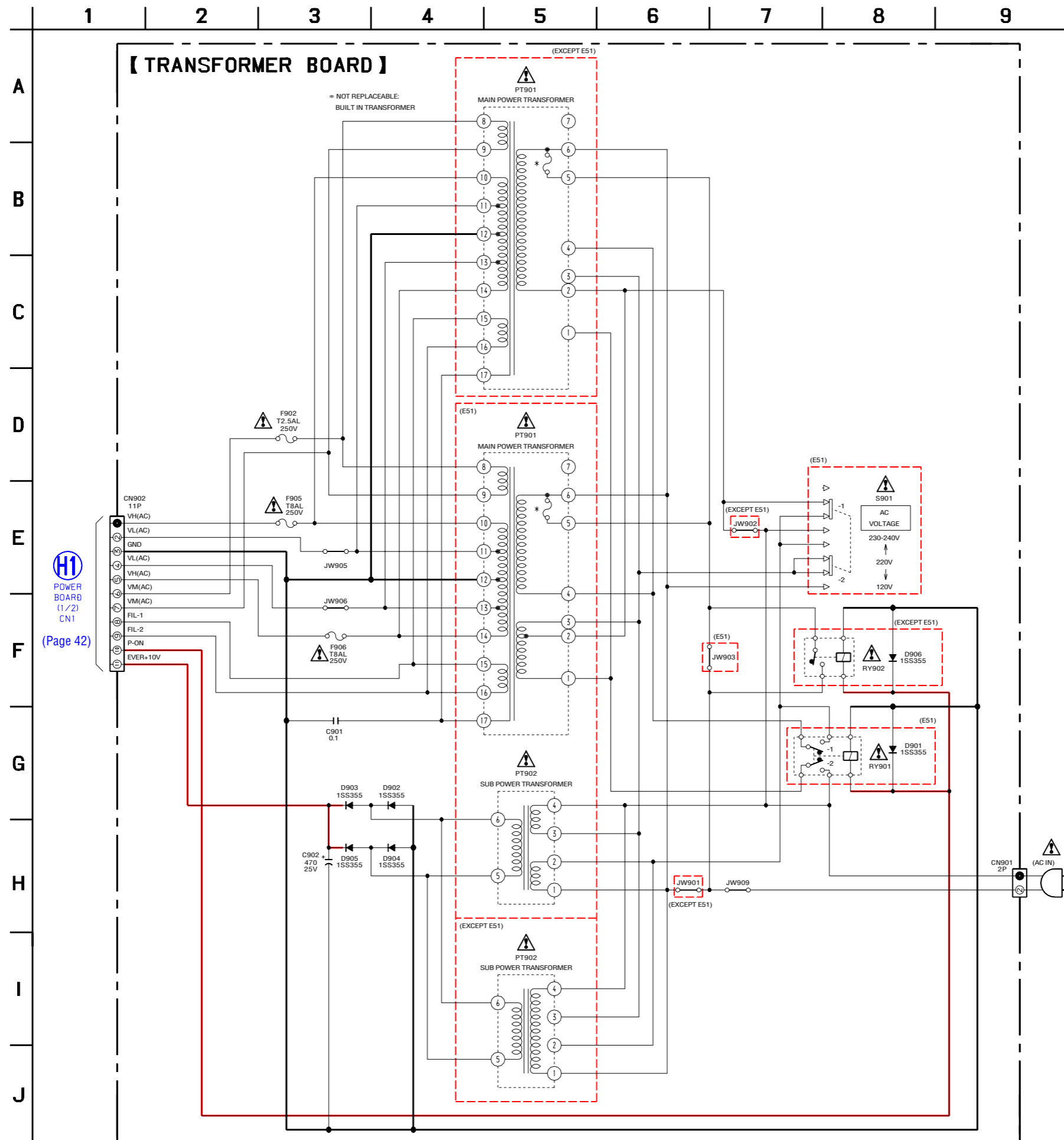
6-24. SCHEMATIC DIAGRAM – CD BUTTON/HEADPHONE/MICROPHONE Boards –



6-20. SCHEMATIC DIAGRAM – PANEL Board – • See page 52 for IC Block Diagram. • See page 52 for Waveforms.



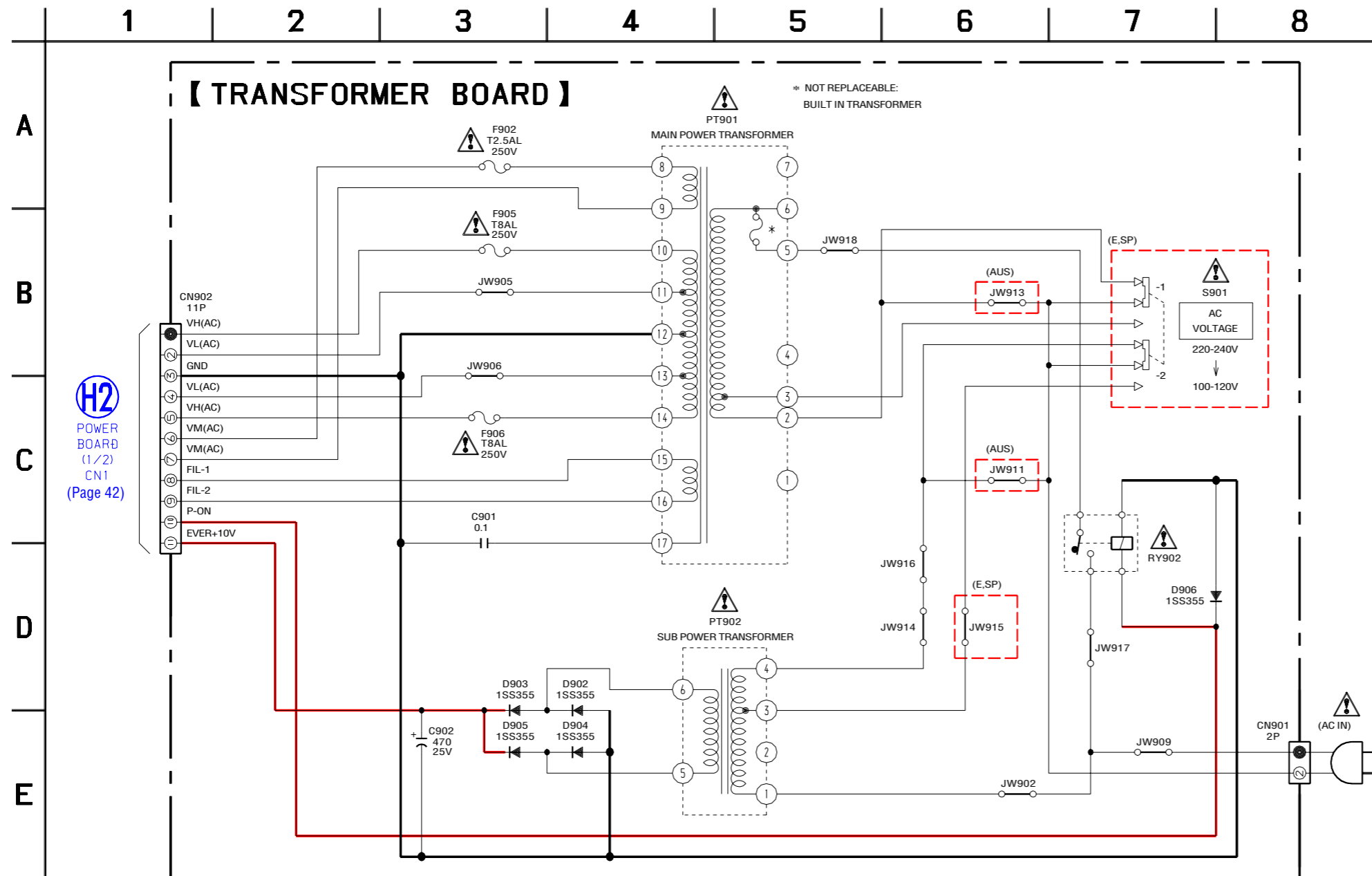
6-29. SCHEMATIC DIAGRAM – TRANSFORMER BOARD – (AEP, UK, CIS, E51 models)



H1
POWER BOARD
(1/2)
CNT
(Page 42)

The components identified by mark Δ or dotted line with mark Δ are critical for safety. Replace only with part number specified.

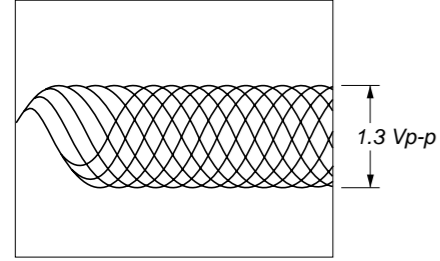
6-30. SCHEMATIC DIAGRAM – TRANSFORMER BOARD – (E, SP, AUS models)



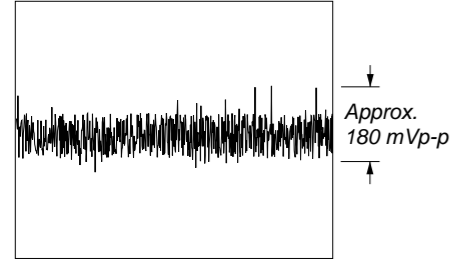
The components identified by mark Δ or dotted line with mark Δ are critical for safety. Replace only with part number specified.

• Waveforms
– BD Board –

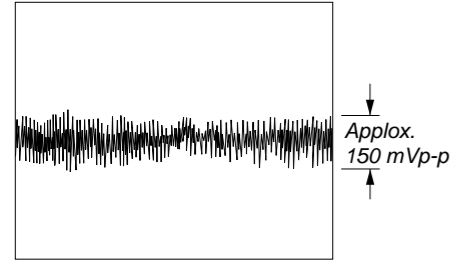
1 IC721 ④ (RF) (CD Play Mode)



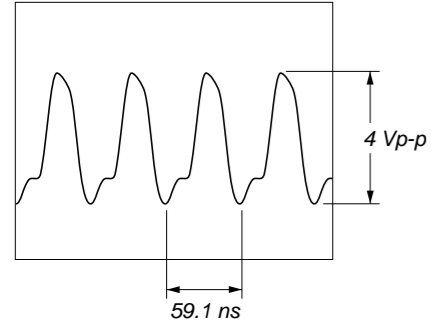
2 IC721 ⑬ (TE) (CD Play Mode)



3 IC721 ⑮ (TE) (CD Play Mode)

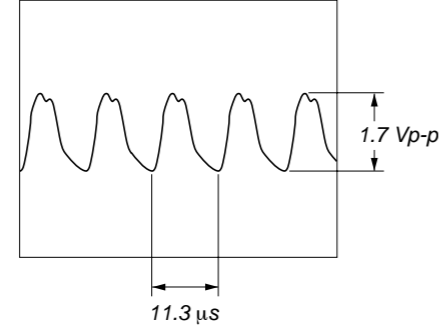


4 IC721 ⑳ (XOUT)

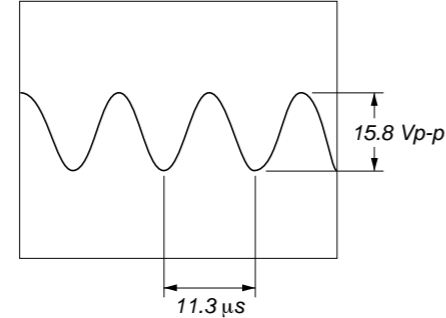


– MAIN Board –

11 Q223 (Base) (REC Mode)

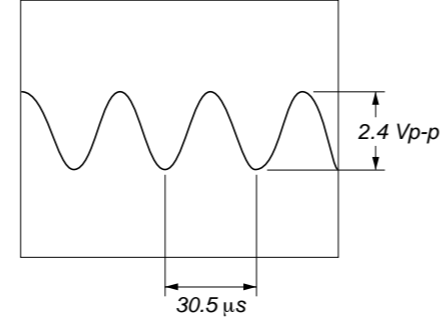


12 Q223 (Collector) (REC Mode)

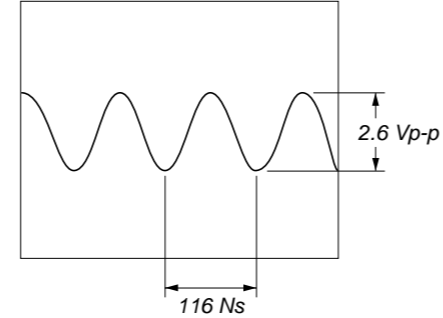


– PANEL Board –

21 IC901 ⑩ (XT1)

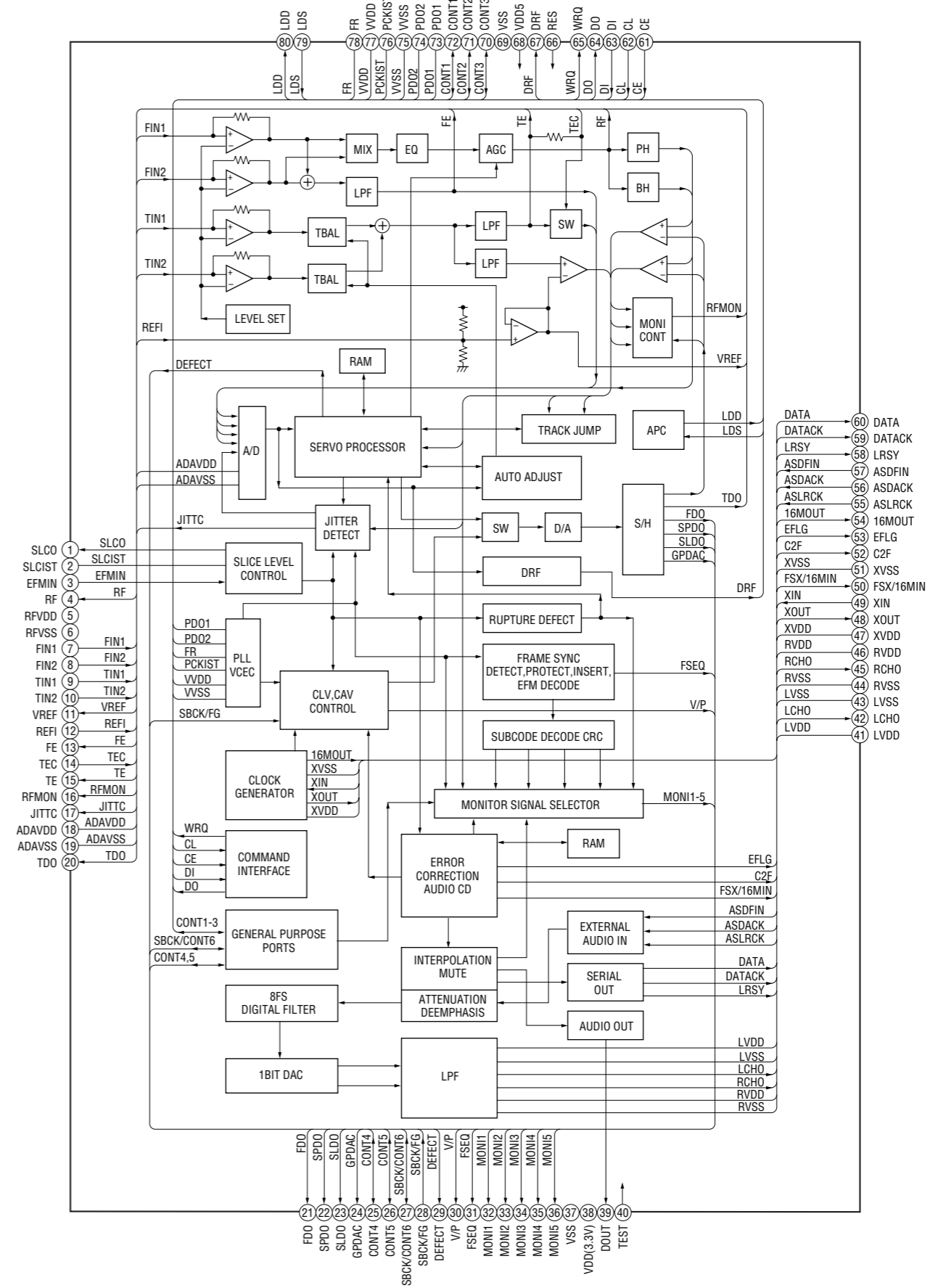


22 IC901 ⑮ (CF1)

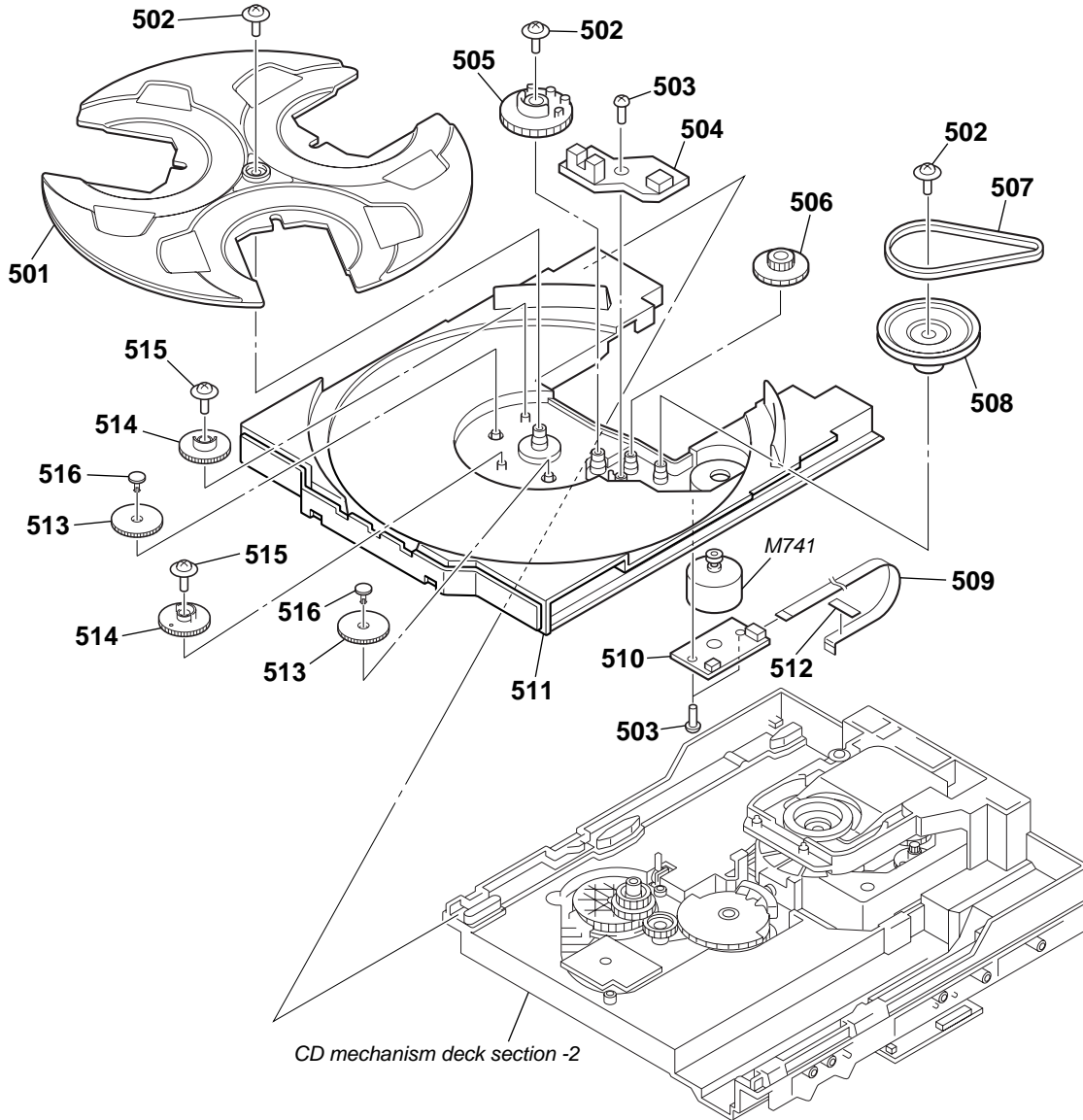


• IC Block Diagrams
– BD Board –

IC721 LC78646E-E

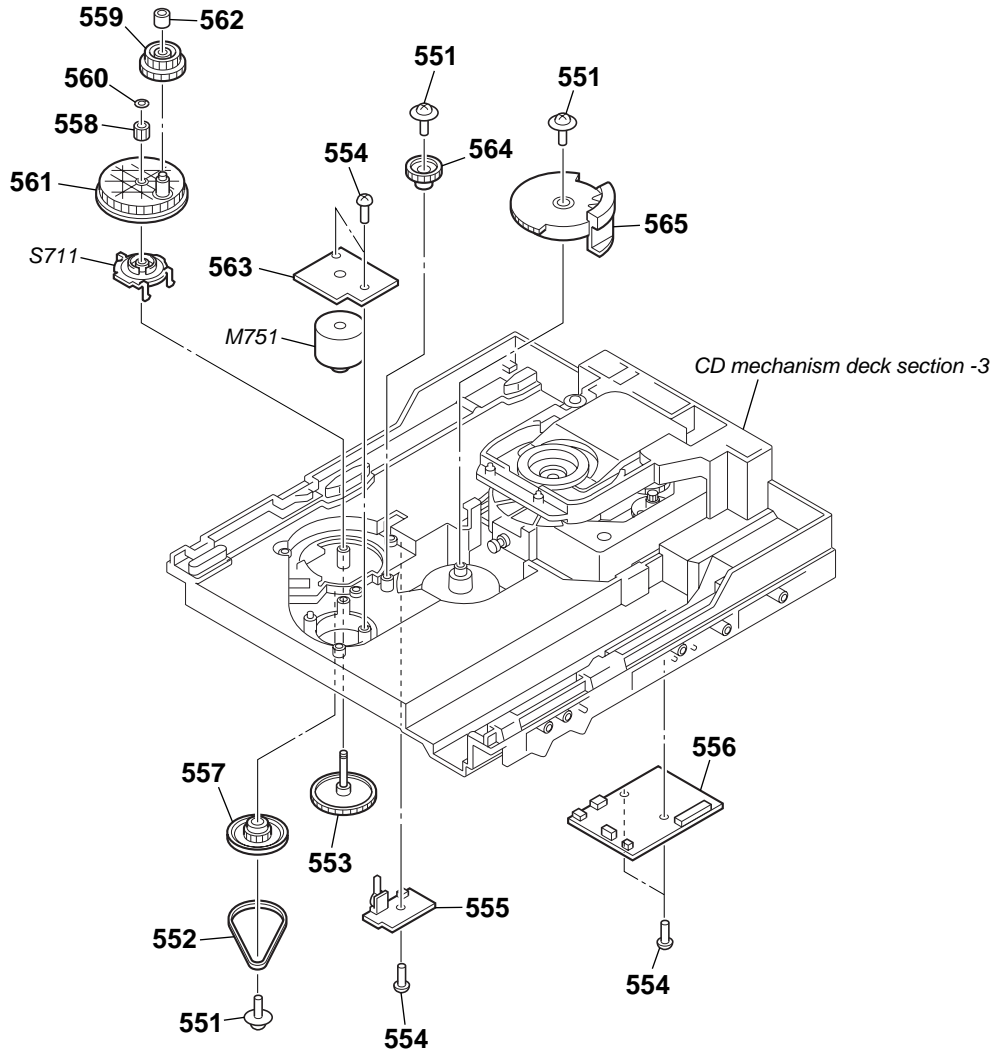


7-8. CD MECHANISM DECK SECTION-1
(CDM74F-K6BD71A)



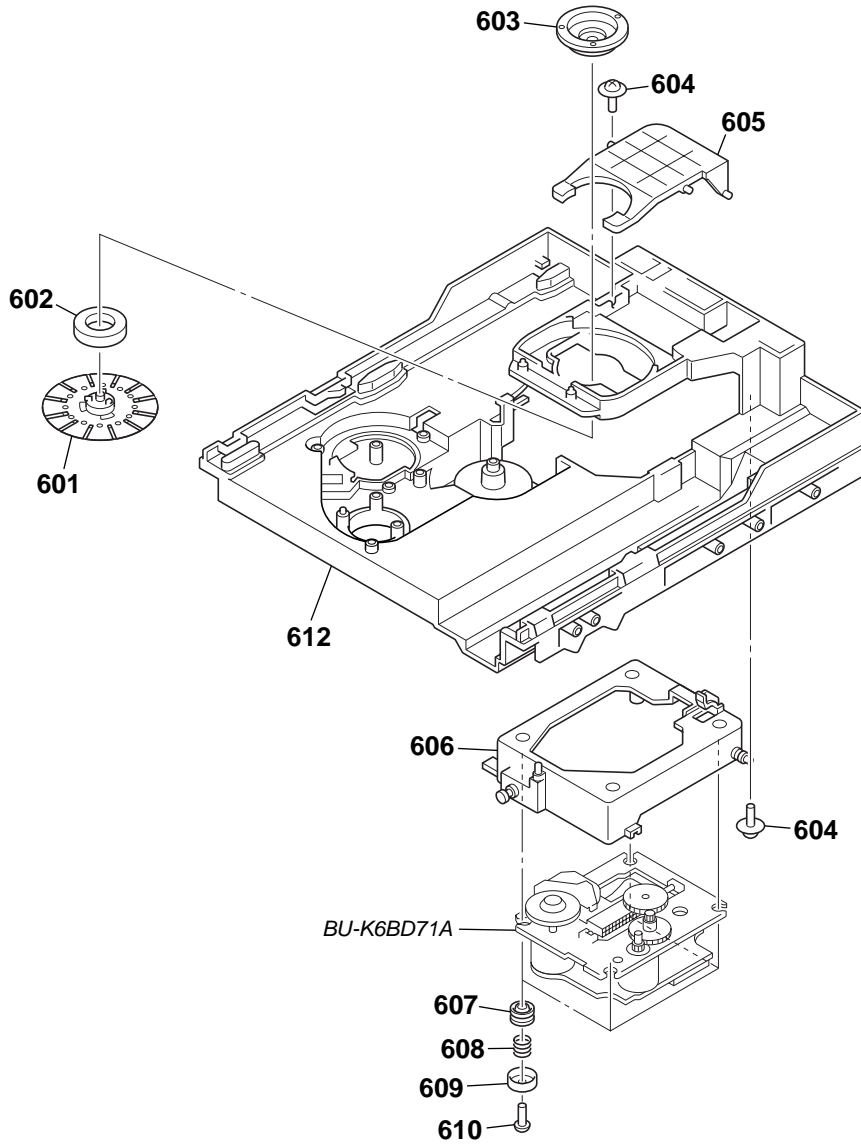
Ref. No.	Part No.	Description	Remark	Ref. No.	Part No.	Description	Remark
501	-243-815-01	TABLE (LOADING)		510	1-687-134-11	MOTOR (TB) BOARD	
502	4-218-252-61	SCREW (+PTPWH M2.6), FLOATING		511	4-243-816-01	TRAY	
503	4-218-253-21	SCREW (M2.6), +BTTP		512	3-231-598-01	SHEET (BA)	
504	1-687-132-11	SENSOR BOARD		513	4-245-570-01	GEAR (JOINT)	
505	4-243-819-01	GEAR (GENEVA)		514	4-245-571-01	GEAR (STOPPER)	
506	4-243-820-01	GEAR (TABLE)		515	4-985-672-01	SCREW (+PTPWH M2.6), FLOATING	
507	4-243-823-01	BELT (TABLE)		516	4-245-572-01	BUSHING (GEAR)	
508	4-243-821-01	PULLEY (TABLE)		M741	A-4723-963-A	MOTOR ASSY, TABLE	
509	1-776-182-11	WIRE (FLAT TYPE) (5 CORE)					

7-9. CD MECHANISM DECK SECTION-2
(CDM74F-K6BD71A)



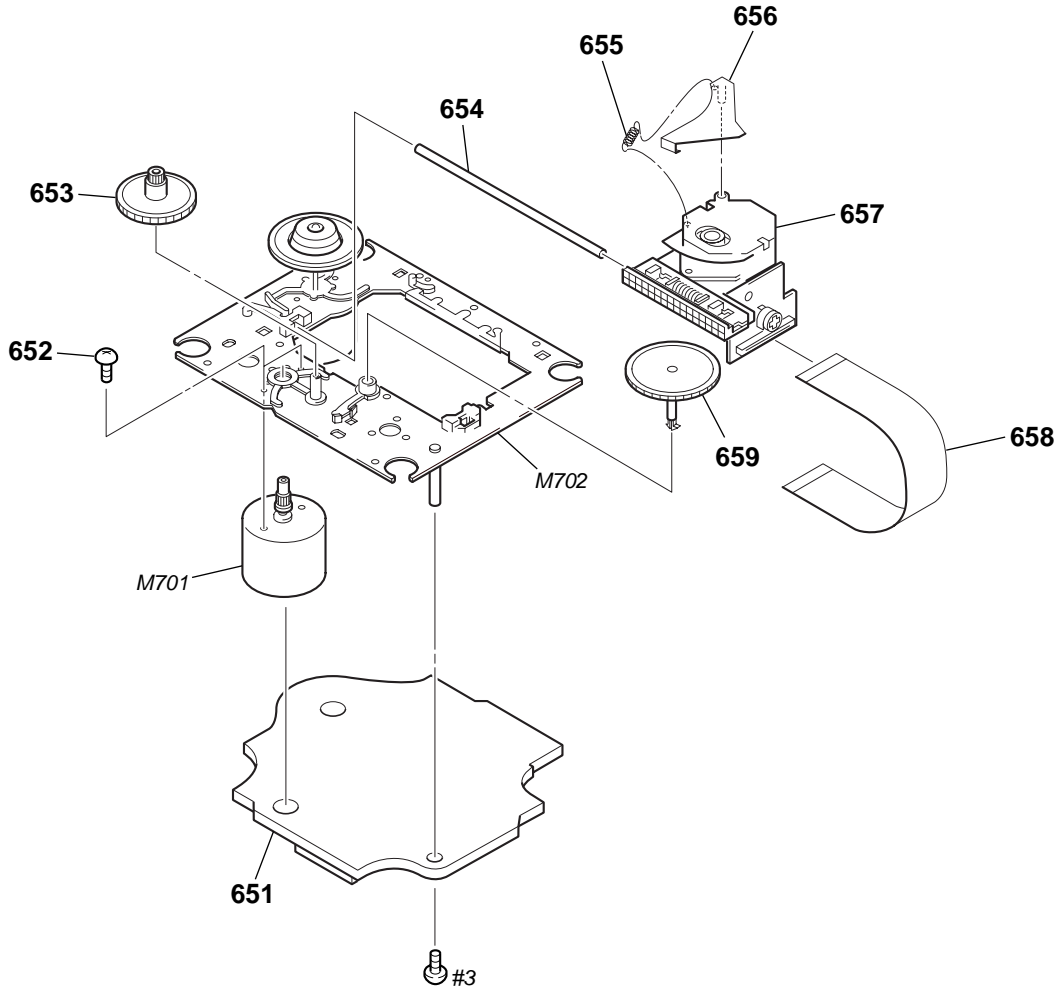
Ref. No.	Part No.	Description	Remark	Ref. No.	Part No.	Description	Remark
551	4-218-252-61	SCREW (+PTPWH M2.6), FLOATING		560	3-016-533-11	WASHER (FR), STOPPER	
552	4-244-034-01	BELT (LOADING)		561	4-244-108-01	GEAR, SWING	
553	4-224-613-01	GEAR (SHAFT)		562	4-224-608-01	COLLAR, SWING	
554	4-218-253-31	SCREW (M2.6), +BTTP		563	1-687-133-11	MOTOR (LD) BOARD	
555	1-687-669-11	SW BOARD		564	4-224-606-01	GEAR (RV)	
556	1-687-135-11	DRIVER BOARD		565	4-243-818-01	GEAR (U/D)	
557	4-225-844-01	GEAR (LOADING A)		M751	A-4736-655-A	MOTOR ASSY, LOADING	
558	4-224-611-01	GEAR (LOADING B)		S711	1-477-680-11	ENCODER, ROTARY	
559	4-224-609-01	GEAR (LOADING C)				(DISC TRAY ADDRESS DETECT)	

7-10. CD MECHANISM DECK SECTION-3
(CDM74F-K6BD71A)



Ref. No.	Part No.	Description	Remark	Ref. No.	Part No.	Description	Remark
601	X-4955-707-1	PULLEY (A5) ASSY, CHUCKING		607	4-227-549-11	INSULATOR	
602	1-471-035-11	MAGNET ASSY		608	4-227-045-31	SPRING (INSULATOR), COIL	
603	4-231-189-01	PULLEY (B), CHUCKING		609	4-231-151-01	STOPPER (BU)	
604	4-218-252-61	SCREW (+PTPWH M2.6), FLOATING		610	4-218-253-31	SCREW (M2.6), +BTTP	
605	4-243-822-01	LEVER (LIFTER)		612	4-243-817-01	CHASSIS	
606	X-4955-536-1	HOLDER (213) ASSY					

7-11. BASE UNIT SECTION
(BU-K6BD71A)



The components identified by mark \triangle or dotted line with mark \triangle are critical for safety. Replace only with part number specified.

Ref. No.	Part No.	Description	Remark	Ref. No.	Part No.	Description	Remark
651	A-4732-699-A	BD BOARD, COMPLETE		\triangle 657	8-820-020-11	OPTICAL PICK-UP KSS-213D/Z-RP	
652	3-713-786-51	SCREW (M2X3)		658	1-823-859-11	WIRE (FLAT TYPE) (16 CORE)	
653	2-627-003-01	GEAR (B) (RP)		659	2-625-188-02	GEAR (A)	
654	2-626-908-51	SHAFT, SLED		M701	X-2625-769-1	GEAR ASSY (MB) (RP), MOTOR (SLED)	
655	2-646-702-01	SPRING, EXTENSION		M702	X-2161-802-1	CHASSIS ASSY (DCP), T. T (SPINDLE)	
656	2-646-697-02	SHUTTER (F), LENS		#3	7-685-534-19	SCREW +BTP 2.6X8 TYPE2 N-S	

SECTION 8 ELECTRICAL PARTS LIST

BD

NOTE:

- Due to standardization, replacements in the parts list may be different from the parts specified in the diagrams or the components used on the set.
- -XX and -X mean standardized parts, so they may have some difference from the original one.
- **RESISTORS**
All resistors are in ohms.
METAL: Metal-film resistor.
METAL OXIDE: Metal oxide-film resistor.
F: nonflammable
- Abbreviation
AUS : Australian model
E51 : Chilean and Peluvian models
SP : Singapore model

- Items marked “*” are not stocked since they are seldom required for routine service. Some delay should be anticipated when ordering these items.
- **SEMICONDUCTORS**
In each case, u: μ , for example:
uA. . : μ A. . uPA. . : μ PA. .
uPB. . : μ PB. . uPC. . : μ PC. .
uPD. . : μ PD. .
- **CAPACITORS**
uF: μ F
- **COILS**
uH: μ H

The components identified by mark Δ or dotted line with mark Δ are critical for safety. Replace only with part number specified.

When indicating parts by reference number, please include the board.

Ref. No.	Part No.	Description	Remark	Ref. No.	Part No.	Description	Remark
	A-4732-699-A	BD BOARD, COMPLETE *****					
		< CAPACITOR >					
C701	1-164-156-11	CERAMIC CHIP	0.1uF		25V		
C702	1-126-392-11	ELECT CHIP	100uF	20%	6.3V		
C703	1-164-156-11	CERAMIC CHIP	0.1uF		25V		
C704	1-126-391-11	ELECT CHIP	47uF	20%	6.3V		
C705	1-162-964-11	CERAMIC CHIP	0.001uF	10%	50V		
C706	1-164-156-11	CERAMIC CHIP	0.1uF		25V		
C707	1-126-392-11	ELECT CHIP	100uF	20%	6.3V		
C708	1-164-156-11	CERAMIC CHIP	0.1uF		25V		
C709	1-126-392-11	ELECT CHIP	100uF	20%	6.3V		
C710	1-165-176-11	CERAMIC CHIP	0.047uF	10%	16V		
C711	1-164-156-11	CERAMIC CHIP	0.1uF		25V		
C712	1-162-949-11	CERAMIC CHIP	47PF	5%	50V		
C713	1-162-968-11	CERAMIC CHIP	0.0047uF	10%	50V		
C714	1-164-156-11	CERAMIC CHIP	0.1uF		25V		
C715	1-126-401-21	ELECT CHIP	1uF	20%	50V		
C716	1-162-964-11	CERAMIC CHIP	0.001uF	10%	50V		
C717	1-162-968-11	CERAMIC CHIP	0.0047uF	10%	50V		
C718	1-115-156-11	CERAMIC CHIP	1uF		10V		
C719	1-162-968-11	CERAMIC CHIP	0.0047uF	10%	50V		
C720	1-162-953-11	CERAMIC CHIP	100PF	5%	50V		
C721	1-164-156-11	CERAMIC CHIP	0.1uF		25V		
C722	1-164-156-11	CERAMIC CHIP	0.1uF		25V		
C723	1-126-392-11	ELECT CHIP	100uF	20%	6.3V		
C729	1-128-360-11	ELECT CHIP	220uF	20%	10V		
C731	1-164-156-11	CERAMIC CHIP	0.1uF		25V		
C732	1-162-970-11	CERAMIC CHIP	0.01uF	10%	25V		
C733	1-162-970-11	CERAMIC CHIP	0.01uF	10%	25V		
C734	1-162-917-11	CERAMIC CHIP	15PF	5%	50V		
C735	1-162-918-11	CERAMIC CHIP	18PF	5%	50V		
C741	1-164-156-11	CERAMIC CHIP	0.1uF		25V		
C742	1-164-156-11	CERAMIC CHIP	0.1uF		25V		
C743	1-165-176-11	CERAMIC CHIP	0.047uF	10%	16V		
C744	1-125-837-11	CERAMIC CHIP	1uF	10%	6.3V		
C746	1-164-156-11	CERAMIC CHIP	0.1uF		25V		
C747	1-164-156-11	CERAMIC CHIP	0.1uF		25V		
C748	1-128-360-11	ELECT CHIP	220uF	20%	10V		
C753	1-162-949-11	CERAMIC CHIP	47PF	5%	50V		
C754	1-162-949-11	CERAMIC CHIP	47PF	5%	50V		
C756	1-162-949-11	CERAMIC CHIP	47PF	5%	50V		
C802	1-164-156-11	CERAMIC CHIP	0.1uF		25V		
C803	1-162-970-11	CERAMIC CHIP	0.01uF	10%	25V		
C804	1-162-945-11	CERAMIC CHIP	22PF	5%	50V		
C805	1-126-392-11	ELECT CHIP	100uF	20%	6.3V		
C806	1-164-156-11	CERAMIC CHIP	0.1uF		25V		
C807	1-126-392-11	ELECT CHIP	100uF	20%	6.3V		
C810	1-164-156-11	CERAMIC CHIP	0.1uF		25V		
C811	1-164-156-11	CERAMIC CHIP	0.1uF		25V		
C812	1-115-156-11	CERAMIC CHIP	1uF		10V		
C813	1-164-156-11	CERAMIC CHIP	0.1uF		25V		
C814	1-126-392-11	ELECT CHIP	100uF	20%	6.3V		
C815	1-128-360-11	ELECT CHIP	220uF	20%	10V		
C816	1-164-156-11	CERAMIC CHIP	0.1uF		25V		
C817	1-164-156-11	CERAMIC CHIP	0.1uF		25V		
C823	1-162-949-11	CERAMIC CHIP	47PF	5%	50V		
C824	1-162-949-11	CERAMIC CHIP	47PF	5%	50V		
C825	1-162-949-11	CERAMIC CHIP	47PF	5%	50V		
C829	1-162-949-11	CERAMIC CHIP	47PF	5%	50V		
C830	1-162-945-11	CERAMIC CHIP	22PF	5%	50V		
C831	1-162-945-11	CERAMIC CHIP	22PF	5%	50V		
C834	1-128-360-11	ELECT CHIP	220uF	20%	10V		
C835	1-164-156-11	CERAMIC CHIP	0.1uF		25V		
C837	1-164-156-11	CERAMIC CHIP	0.1uF		25V		
C843	1-164-156-11	CERAMIC CHIP	0.1uF		25V		
C844	1-164-156-11	CERAMIC CHIP	0.1uF		25V		
C856	1-115-156-11	CERAMIC CHIP	1uF		10V		
C857	1-162-945-11	CERAMIC CHIP	22PF	5%	50V		
C858	1-162-945-11	CERAMIC CHIP	22PF	5%	50V		
C859	1-162-945-11	CERAMIC CHIP	22PF	5%	50V		
C860	1-162-953-11	CERAMIC CHIP	100PF	5%	50V		
		< CONNECTOR >					
CN708	1-817-244-11	CONNECTOR, FFC 16P					
CN710	1-778-874-11	CONNECTOR, FFC (LIF (NON-ZIF)) 19P					
		< FERRITE BEAD >					
FB701	1-550-907-21	FERRITE	0uH				
FB707	1-550-907-21	FERRITE	0uH				
FB708	1-550-907-21	FERRITE	0uH				
FB801	1-550-907-21	FERRITE	0uH				
FB802	1-550-907-21	FERRITE	0uH				
FB803	1-550-907-21	FERRITE	0uH				
FB804	1-550-907-21	FERRITE	0uH				
FB805	1-550-907-21	FERRITE	0uH				

BD	CD BUTTON
----	-----------

Ref. No.	Part No.	Description	Remark	Ref. No.	Part No.	Description	Remark
FB806	1-550-907-21	FERRITE	OuH	R805	1-216-809-11	METAL CHIP	100 5% 1/10W
FB807	1-550-907-21	FERRITE	OuH	R806	1-216-809-11	METAL CHIP	100 5% 1/10W
FB808	1-550-907-21	FERRITE	OuH	R807	1-216-809-11	METAL CHIP	100 5% 1/10W
		< IC >		R817	1-216-827-11	METAL CHIP	3.3K 5% 1/10W
IC721	6-701-796-01	IC LC78646E-E		R818	1-216-811-11	METAL CHIP	150 5% 1/10W
IC722	6-704-220-01	IC BA5836FP		R819	1-216-821-11	METAL CHIP	1K 5% 1/10W
IC801	6-704-008-01	IC LC78684E-E		R820	1-216-821-11	METAL CHIP	1K 5% 1/10W
IC802	6-704-009-01	IC LC32V4265CT-25-MPB-E		R823	1-216-809-11	METAL CHIP	100 5% 1/10W
IC803	6-704-007-01	IC MM1571J		R824	1-216-809-11	METAL CHIP	100 5% 1/10W
		< TRANSISTOR >		R825	1-216-809-11	METAL CHIP	100 5% 1/10W
Q701	8-729-054-51	TRANSISTOR	UP04116008S0	R826	1-216-809-11	METAL CHIP	100 5% 1/10W
		< RESISTOR >		R827	1-216-809-11	METAL CHIP	100 5% 1/10W
R701	1-216-841-11	METAL CHIP	47K 5% 1/10W	R828	1-216-809-11	METAL CHIP	100 5% 1/10W
R702	1-216-835-11	METAL CHIP	15K 5% 1/10W	R829	1-216-809-11	METAL CHIP	100 5% 1/10W
R703	1-216-835-11	METAL CHIP	15K 5% 1/10W	R832	1-216-825-11	METAL CHIP	2.2K 5% 1/10W
R704	1-216-835-11	METAL CHIP	15K 5% 1/10W	R833	1-216-809-11	METAL CHIP	100 5% 1/10W
R705	1-216-835-11	METAL CHIP	15K 5% 1/10W	R834	1-216-809-11	METAL CHIP	100 5% 1/10W
		< SWITCH >		R860	1-216-809-11	METAL CHIP	100 5% 1/10W
R706	1-216-841-11	METAL CHIP	47K 5% 1/10W	S701	1-771-853-11	SWITCH, DETECTION (LIMIT IN)	
R707	1-216-797-11	METAL CHIP	10 5% 1/10W			< VIBRATOR >	
R708	1-216-833-11	METAL CHIP	10K 5% 1/10W	X701	1-767-408-21	VIBRATOR, CRYSTAL (16.9344MHz)	
R709	1-216-838-11	METAL CHIP	27K 5% 1/10W	*****			
R711	1-216-815-11	METAL CHIP	330 5% 1/10W	1-688-546-11	CD BUTTON BOARD	*****	
R713	1-216-821-11	METAL CHIP	1K 5% 1/10W			< CONNECTOR >	
R714	1-216-809-11	METAL CHIP	100 5% 1/10W	CN302	1-568-850-11	CONNECTOR, FFC 7P	
R715	1-216-809-11	METAL CHIP	100 5% 1/10W			< LED >	
R716	1-216-809-11	METAL CHIP	100 5% 1/10W	LED301	8-719-063-93	LED SLR325VC-N-T32(DISC DIRECT PLAY 1)	
R717	1-216-809-11	METAL CHIP	100 5% 1/10W	LED302	8-719-063-93	LED SLR325VC-N-T32(DISC DIRECT PLAY 2)	
R718	1-216-809-11	METAL CHIP	100 5% 1/10W	LED303	8-719-063-93	LED SLR325VC-N-T32(DISC DIRECT PLAY 3)	
R719	1-216-809-11	METAL CHIP	100 5% 1/10W			< RESISTOR >	
R720	1-216-809-11	METAL CHIP	100 5% 1/10W	R327	1-247-843-11	CARBON	3.3K 5% 1/4W
R721	1-216-809-11	METAL CHIP	100 5% 1/10W	R328	1-249-425-11	CARBON	4.7K 5% 1/4W
R722	1-216-821-11	METAL CHIP	1K 5% 1/10W	R329	1-249-427-11	CARBON	6.8K 5% 1/4W
R725	1-216-819-11	METAL CHIP	680 5% 1/10W	R330	1-249-429-11	CARBON	10K 5% 1/4W
R726	1-216-819-11	METAL CHIP	680 5% 1/10W	R331	1-249-429-11	CARBON	10K 5% 1/4W
R727	1-216-809-11	METAL CHIP	100 5% 1/10W	R332	1-249-417-11	CARBON	1K 5% 1/4W
R728	1-216-841-11	METAL CHIP	47K 5% 1/10W	R341	1-249-417-11	CARBON	1K 5% 1/4W
R729	1-216-834-11	METAL CHIP	12K 5% 1/10W	R342	1-249-417-11	CARBON	1K 5% 1/4W
R730	1-216-822-11	METAL CHIP	1.2K 5% 1/10W			< SWITCH >	
R731	1-216-825-11	METAL CHIP	2.2K 5% 1/10W	S327	1-762-875-21	SWITCH, KEYBOARD	
R732	1-216-864-11	SHORT CHIP	0			(DISC CHANGE/DISC SKIP)	
R738	1-218-867-11	METAL CHIP	6.8K 5% 1/10W	S328	1-762-875-21	SWITCH, KEYBOARD (DISC DIRECT PLAY 1)	
R739	1-216-864-11	SHORT CHIP	0	S329	1-762-875-21	SWITCH, KEYBOARD (DISC DIRECT PLAY 2)	
R740	1-218-867-11	METAL CHIP	6.8K 5% 1/10W	S330	1-762-875-21	SWITCH, KEYBOARD (DISC DIRECT PLAY 3)	
R741	1-216-864-11	SHORT CHIP	0	S331	1-762-875-21	SWITCH, KEYBOARD (▲ OPEN/CLOSE)	
R744	1-216-845-11	METAL CHIP	100K 5% 1/10W	*****			
R745	1-216-809-11	METAL CHIP	100 5% 1/10W	R803	1-216-809-11	METAL CHIP	100 5% 1/10W
R746	1-216-803-11	METAL CHIP	33 5% 1/10W	R804	1-216-809-11	METAL CHIP	100 5% 1/10W
R747	1-216-803-11	METAL CHIP	33 5% 1/10W				
R760	1-216-809-11	METAL CHIP	100 5% 1/10W				
R765	1-216-857-11	METAL CHIP	1M 5% 1/10W				
R801	1-216-809-11	METAL CHIP	100 5% 1/10W				
R802	1-216-809-11	METAL CHIP	100 5% 1/10W				

DRIVER	HEADPHONE	MAIN
---------------	------------------	-------------

Ref. No.	Part No.	Description	Remark
	1-687-135-11	DRIVER BOARD *****	
		< CAPACITOR >	
C715	1-126-933-11	ELECT 100uF 20%	16V
C731	1-126-964-11	ELECT 10uF 20%	50V
C735	1-164-159-21	CERAMIC 0.1uF	50V
C736	1-164-159-21	CERAMIC 0.1uF	50V
C737	1-164-159-21	CERAMIC 0.1uF	50V
C741	1-162-306-11	CERAMIC 0.01uF 30%	16V
C751	1-162-306-11	CERAMIC 0.01uF 30%	16V
C752	1-164-159-21	CERAMIC 0.1uF	50V
		< CONNECTOR >	
CN701	1-785-338-11	PIN, CONNECTOR (LIGHT ANGLE) 12P	
CN702	1-784-766-11	CONNECTOR, FFC 5P	
* CN703	1-564-720-11	PIN, CONNECTOR (SMALL TYPE) 4P	
CN704	1-785-328-11	PIN, CONNECTOR (LIGHT ANGLE) 2P	
		< DIODE >	
D701	8-719-921-42	DIODE MTZJ-5.1A	
D711	8-719-109-69	DIODE RD3.6ES-B2	
		< IC >	
IC701	8-759-598-69	IC BA6956AN	
IC712	8-759-598-69	IC BA6956AN	
		< TRANSISTOR >	
Q731	8-729-029-66	TRANSISTOR DTC114ESA	
		< RESISTOR >	
R701	1-249-413-11	CARBON 470 5%	1/4W
R702	1-247-807-31	CARBON 100 5%	1/4W
R711	1-249-417-11	CARBON 1K 5%	1/4W
R712	1-249-425-11	CARBON 4.7K 5%	1/4W
R713	1-249-433-11	CARBON 22K 5%	1/4W
R721	1-249-425-11	CARBON 4.7K 5%	1/4W
R722	1-249-425-11	CARBON 4.7K 5%	1/4W
R723	1-249-425-11	CARBON 4.7K 5%	1/4W
R731	1-247-807-31	CARBON 100 5%	1/4W
R732	1-249-429-11	CARBON 10K 5%	1/4W
R733	1-249-417-11	CARBON 1K 5%	1/4W
R734	1-249-430-11	CARBON 12K 5%	1/4W
R735	1-247-807-31	CARBON 100 5%	1/4W
R751	1-249-425-11	CARBON 4.7K 5%	1/4W

	1-688-545-11	HEADPHONE BOARD *****	
		< CAPACITOR >	
C301	1-115-416-11	CERAMIC CHIP 0.001uF 5%	25V
C302	1-115-416-11	CERAMIC CHIP 0.001uF 5%	25V
		< JACK >	
J221	1-793-829-11	JACK, HEADPHONE (PHONES)	

Ref. No.	Part No.	Description	Remark
	A-4734-192-A	MAIN BOARD, COMPLETE (AEP, UK)	
	A-4734-455-A	MAIN BOARD, COMPLETE (E51)	
	A-4734-803-A	MAIN BOARD, COMPLETE (CIS)	
	A-4734-957-A	MAIN BOARD, COMPLETE (E, SP, AUS) *****	
7-685-647-79		SCREW +BVTP 3X10 TYPE2 N-S	
		< CAPACITOR >	
C101	1-126-963-11	ELECT 4.7uF 20%	50V
C102	1-126-963-11	ELECT 4.7uF 20%	50V
C103	1-126-933-11	ELECT 100uF 20%	16V
C108	1-162-970-11	CERAMIC CHIP 0.01uF 10%	25V (AEP, UK, CIS)
C201	1-162-964-11	CERAMIC CHIP 0.001uF 10%	50V
C202	1-162-964-11	CERAMIC CHIP 0.001uF 10%	50V
C203	1-162-964-11	CERAMIC CHIP 0.001uF 10%	50V
C204	1-162-964-11	CERAMIC CHIP 0.001uF 10%	50V
C221	1-126-947-11	ELECT 47uF 20%	16V
C223	1-130-973-00	MYLAR 0.022uF 5%	100V
C225	1-162-966-11	CERAMIC CHIP 0.0022uF 10%	50V
C226	1-162-966-11	CERAMIC CHIP 0.0022uF 10%	50V
C232	1-126-947-11	ELECT 47uF 20%	16V
C233	1-130-471-00	MYLAR 0.001uF 5%	50V
C234	1-130-471-00	MYLAR 0.001uF 5%	50V
C237	1-126-960-11	ELECT 1uF 20%	50V
C239	1-130-485-00	MYLAR 0.015uF 5%	50V
C240	1-126-964-11	ELECT 10uF 20%	50V
C241	1-130-479-00	MYLAR 0.0047uF 5%	50V
C242	1-130-479-00	MYLAR 0.0047uF 5%	50V
C244	1-126-947-11	ELECT 47uF 20%	16V
C247	1-126-961-11	ELECT 2.2uF 20%	50V
C248	1-126-961-11	ELECT 2.2uF 20%	50V
C249	1-126-961-11	ELECT 2.2uF 20%	50V
C250	1-126-961-11	ELECT 2.2uF 20%	50V
C253	1-126-933-11	ELECT 100uF 20%	16V
C254	1-126-963-11	ELECT 4.7uF 20%	50V
C258	1-126-963-11	ELECT 4.7uF 20%	50V
C259	1-128-551-11	ELECT 22uF 20%	25V
C260	1-126-959-11	ELECT 0.47uF 20%	50V
C261	1-126-959-11	ELECT 0.47uF 20%	50V
C266	1-130-483-00	MYLAR 0.01uF 5%	50V
C267	1-130-483-00	MYLAR 0.01uF 5%	50V
C268	1-126-960-11	ELECT 1uF 20%	50V
C269	1-126-960-11	ELECT 1uF 20%	50V
C272	1-126-960-11	ELECT 1uF 20%	50V
C273	1-126-960-11	ELECT 1uF 20%	50V
C285	1-162-966-11	CERAMIC CHIP 0.0022uF 10%	50V
C286	1-162-966-11	CERAMIC CHIP 0.0022uF 10%	50V
C300	1-164-156-11	CERAMIC CHIP 0.1uF	25V
C301	1-126-964-11	ELECT 10uF 20%	50V
C302	1-126-964-11	ELECT 10uF 20%	50V
C303	1-104-665-11	ELECT 100uF 20%	10V
C304	1-126-963-11	ELECT 4.7uF 20%	50V
C309	1-126-964-11	ELECT 10uF 20%	50V
C310	1-126-964-11	ELECT 10uF 20%	50V
C311	1-126-964-11	ELECT 10uF 20%	50V
C312	1-126-964-11	ELECT 10uF 20%	50V
C313	1-107-714-11	ELECT 10uF 20%	16V

Ref. No.	Part No.	Description	Remark	Ref. No.	Part No.	Description	Remark
C314	1-107-714-11	ELECT	10uF 20% 16V	C386	1-126-947-11	ELECT	47uF 20% 25V
C315	1-126-963-11	ELECT	4.7uF 20% 50V	C390	1-162-953-11	CERAMIC CHIP	100PF 5% 50V
C316	1-126-963-11	ELECT	4.7uF 20% 50V	C391	1-162-953-11	CERAMIC CHIP	100PF 5% 50V
C317	1-126-964-11	ELECT	10uF 20% 50V	C392	1-162-953-11	CERAMIC CHIP	100PF 5% 50V
C318	1-126-964-11	ELECT	10uF 20% 50V	C393	1-126-959-11	ELECT	0.47uF 20% 50V
C319	1-165-176-11	CERAMIC CHIP	0.047uF 10% 16V	C396	1-130-499-00	MYLAR	0.22uF 5% 50V
C320	1-130-487-00	MYLAR	0.022uF 5% 50V	C397	1-104-665-11	ELECT	100uF 20% 10V
C321	1-130-487-00	MYLAR	0.022uF 5% 50V	C398	1-126-964-11	ELECT	10uF 20% 50V
C323	1-130-487-00	MYLAR	0.022uF 5% 50V	C399	1-126-935-11	ELECT	470uF 20% 16V
C324	1-130-487-00	MYLAR	0.022uF 5% 50V	C400	1-128-551-11	ELECT	22uF 20% 25V
C325	1-130-491-00	MYLAR	0.047uF 5% 50V	C401	1-164-156-11	CERAMIC CHIP	0.1uF 25V
C326	1-130-491-00	MYLAR	0.047uF 5% 50V	C402	1-164-156-11	CERAMIC CHIP	0.1uF 25V
C327	1-130-476-00	MYLAR	0.0027uF 5% 50V	C411	1-107-713-11	ELECT	4.7uF 20% 35V
C328	1-130-476-00	MYLAR	0.0027uF 5% 50V	C412	1-107-713-11	ELECT	4.7uF 20% 35V
C329	1-126-963-11	ELECT	4.7uF 20% 50V	C417	1-126-926-11	ELECT	1000uF 20% 50V
C330	1-126-963-11	ELECT	4.7uF 20% 50V	C418	1-130-483-00	MYLAR	0.01uF 5% 50V
C331	1-130-499-00	MYLAR	0.22uF 5% 50V	C419	1-130-483-00	MYLAR	0.01uF 5% 50V
C332	1-130-499-00	MYLAR	0.22uF 5% 50V	C420	1-126-943-11	ELECT	2200uF 20% 25V
C333	1-130-499-00	MYLAR	0.22uF 5% 50V	C421	1-126-934-11	ELECT	220uF 20% 16V
C334	1-130-499-00	MYLAR	0.22uF 5% 50V	C425	1-164-315-11	CERAMIC CHIP	470PF 5% 50V
C337	1-126-964-11	ELECT	10uF 20% 50V				(SUFFIX-13)
C339	1-126-934-11	ELECT	220uF 20% 16V	C428	1-162-970-11	CERAMIC CHIP	0.01uF 10% 25V
C340	1-126-947-11	ELECT	47uF 20% 16V	C430	1-162-970-11	CERAMIC CHIP	0.01uF 10% 25V
C341	1-126-947-11	ELECT	47uF 20% 16V				(AEP, UK, CIS)
C342	1-164-156-11	CERAMIC CHIP	0.1uF 25V	C431	1-162-915-11	CERAMIC CHIP	10PF 0.5PF 50V
C345	1-126-933-11	ELECT	100uF 20% 16V				(AEP, UK)
C351	1-115-416-11	CERAMIC CHIP	0.001uF 5% 25V	C432	1-162-915-11	CERAMIC CHIP	10PF 0.5PF 50V
C352	1-162-962-11	CERAMIC CHIP	470PF 10% 50V	C433	1-162-915-11	CERAMIC CHIP	10PF 0.5PF 50V
C353	1-162-962-11	CERAMIC CHIP	470PF 10% 50V				(AEP, UK)
C354	1-162-964-11	CERAMIC CHIP	0.001uF 10% 50V	C434	1-162-915-11	CERAMIC CHIP	10PF 0.5PF 50V
C355	1-162-962-11	CERAMIC CHIP	470PF 10% 50V				(AEP, UK)
C356	1-162-962-11	CERAMIC CHIP	470PF 10% 50V	C435	1-162-915-11	CERAMIC CHIP	10PF 0.5PF 50V
C357	1-126-926-11	ELECT	1000uF 20% 10V	C436	1-162-915-11	CERAMIC CHIP	10PF 0.5PF 50V
C358	1-115-416-11	CERAMIC CHIP	0.001uF 5% 25V				(AEP, UK)
			(SUFFIX-13)	C437	1-164-816-11	CERAMIC CHIP	220PF 2% 50V
C361	1-162-960-11	CERAMIC CHIP	220PF 10% 50V				(AEP, UK)
C362	1-162-960-11	CERAMIC CHIP	220PF 10% 50V	C438	1-164-816-11	CERAMIC CHIP	220PF 2% 50V
C363	1-126-964-11	ELECT	10uF 20% 50V				(AEP, UK)
C364	1-126-964-11	ELECT	10uF 20% 50V	C439	1-107-721-11	ELECT	4.7uF 20% 100V
C365	1-162-960-11	CERAMIC CHIP	220PF 10% 50V	C440	1-107-721-11	ELECT	4.7uF 20% 100V
C366	1-162-960-11	CERAMIC CHIP	220PF 10% 50V	C442	1-164-156-11	CERAMIC CHIP	0.1uF 25V
C367	1-130-499-00	MYLAR	0.22uF 5% 50V				(AEP, UK, CIS)
C369	1-126-964-11	ELECT	10uF 20% 50V	C447	1-162-923-11	CERAMIC CHIP	47PF 5% 50V
C370	1-126-964-11	ELECT	10uF 20% 50V				(SUFFIX-13)
C371	1-126-947-11	ELECT	47uF 20% 16V	C448	1-164-156-11	CERAMIC CHIP	0.1uF 25V
C372	1-126-964-11	ELECT	10uF 20% 50V				(SUFFIX-13)
C373	1-130-483-00	MYLAR	0.01uF 5% 50V	C450	1-126-964-11	ELECT	10uF 20% 50V
C374	1-130-483-00	MYLAR	0.01uF 5% 50V	C491	1-164-245-11	CERAMIC CHIP	0.015uF 10% 25V
C375	1-126-943-11	ELECT	2200uF 20% 25V	C492	1-126-960-11	ELECT	1uF 20% 50V
C377	1-126-963-11	ELECT	4.7uF 20% 50V				< CONNECTOR >
C379	1-126-947-11	ELECT	47uF 20% 25V	CN101	1-784-776-11	CONNECTOR, FFC 15P (AEP, UK)	
C380	1-126-935-11	ELECT	470uF 20% 16V	CN101	1-568-830-11	CONNECTOR, FFC 11P (EXCEPT AEP, UK)	
C381	1-126-947-11	ELECT	47uF 20% 16V	* CN202	1-564-710-11	PIN, CONNECTOR (SMALL TYPE) 8P	
C382	1-130-477-00	MYLAR	0.0033uF 5% 50V	* CN203	1-564-705-11	PIN, CONNECTOR (SMALL TYPE) 3P	
C383	1-130-477-00	MYLAR	0.0033uF 5% 50V	CN303	1-564-506-11	PLUG, CONNECTOR 3P	
C384	1-136-159-00	FILM	0.033uF 5% 50V	CN304	1-784-792-11	CONNECTOR, FFC 31P	
C385	1-136-159-00	FILM	0.033uF 5% 50V				

MAIN

Ref. No.	Part No.	Description	Remark	Ref. No.	Part No.	Description	Remark
CN306	1-778-982-21	CONNECTOR, BOARD TO BOARD 13P		JR302	1-216-864-11	SHORT CHIP	0 (SUFFIX-11)
CN307	1-778-982-21	CONNECTOR, BOARD TO BOARD 13P		JR303	1-216-864-11	SHORT CHIP	0
CN310	1-564-707-11	PIN, CONNECTOR (SMALL TYPE) 5P		JR304	1-216-864-11	SHORT CHIP	0
CN311	1-568-828-11	CONNECTOR, FFC 9P					
CN312	1-784-780-11	CONNECTOR, FFC 19P		JR305	1-216-864-11	SHORT CHIP	0
		< DIODE/SHORT >		JR306	1-216-864-11	SHORT CHIP	0
D101	8-719-988-61	DIODE 1SS355TE-17 (AEP, UK)		JR307	1-216-864-11	SHORT CHIP	0
D102	6-500-522-21	DIODE 10EDB40-TB3		JR308	1-216-864-11	SHORT CHIP	0
D205	8-719-988-61	DIODE 1SS355TE-17		JR309	1-216-864-11	SHORT CHIP	0
D206	8-719-988-61	DIODE 1SS355TE-17					
D301	6-500-522-21	DIODE 10EDB40-TB3		JR310	1-216-864-11	SHORT CHIP	0
D302	6-500-522-21	DIODE 10EDB40-TB3		JR311	1-216-864-11	SHORT CHIP	0
D303	6-500-522-21	DIODE 10EDB40-TB3		JR312	1-216-864-11	SHORT CHIP	0
D304	6-500-522-21	DIODE 10EDB40-TB3		JR313	1-216-864-11	SHORT CHIP	0
D305	8-719-988-61	DIODE 1SS355TE-17		JR314	1-216-864-11	SHORT CHIP	0 (E, E51, SP, AUS)
D306	8-719-988-61	DIODE 1SS355TE-17					(SUFFIX-13)
D307	8-719-988-61	DIODE 1SS355TE-17		JR316	1-216-864-11	SHORT CHIP	0
D308	1-216-295-00	SHORT CHIP 0		JR317	1-216-864-11	SHORT CHIP	0
D311	8-719-988-61	DIODE 1SS355TE-17		JR321	1-216-864-11	SHORT CHIP	0
D312	8-719-083-63	DIODE UDZSTE-1713B		JR322	1-216-864-11	SHORT CHIP	0
D313	6-500-522-21	DIODE 10EDB40-TB3		JR325	1-216-864-11	SHORT CHIP	0
D314	6-500-522-21	DIODE 10EDB40-TB3		JR326	1-216-864-11	SHORT CHIP	0
D315	6-500-522-21	DIODE 10EDB40-TB3		JR328	1-216-864-11	SHORT CHIP	0
D316	6-500-522-21	DIODE 10EDB40-TB3		JR333	1-216-864-11	SHORT CHIP	0
D317	8-719-988-61	DIODE 1SS355TE-17		JR334	1-216-864-11	SHORT CHIP	0 (E, E51, SP, AUS)
D319	6-500-522-21	DIODE 10EDB40-TB3		JR336	1-216-864-11	SHORT CHIP	0
D320	6-500-522-21	DIODE 10EDB40-TB3		JR337	1-216-864-11	SHORT CHIP	0
D321	6-500-522-21	DIODE 10EDB40-TB3		JR339	1-216-864-11	SHORT CHIP	0
D322	6-500-522-21	DIODE 10EDB40-TB3		JR341	1-216-864-11	SHORT CHIP	0
D324	8-719-988-61	DIODE 1SS355TE-17 (SUFFIX-13)		JR343	1-216-864-11	SHORT CHIP	0 (SUFFIX-13)
D364	8-719-988-61	DIODE 1SS355TE-17					< TRANSFORMER >
D371	8-719-988-61	DIODE 1SS355TE-17		L201	1-437-220-11	TRANSFORMER, BIAS OSCILLATION	
D372	8-719-988-61	DIODE 1SS355TE-17					< TRANSISTOR >
D374	8-719-988-61	DIODE 1SS355TE-17		Q218	8-729-120-28	TRANSISTOR	2SC1623-L5L6
		< GROUND TERMINAL >		Q219	8-729-120-28	TRANSISTOR	2SC1623-L5L6
* GA1	1-537-738-21	TERMINAL, EARTH		Q220	8-729-120-28	TRANSISTOR	2SC1623-L5L6
		< IC >		Q221	8-729-120-28	TRANSISTOR	2SC1623-L5L6
IC201	6-702-130-01	IC HA12237F		Q222	8-729-120-28	TRANSISTOR	2SC1623-L5L6
IC301	6-703-650-11	IC M61529FP-D60G		Q223	8-729-142-46	TRANSISTOR	2SC2001-LK
IC303	6-704-074-01	IC NJM2156M (TE2)		Q225	6-550-289-01	TRANSISTOR	2SA1235F
IC304	8-759-710-97	IC NJM4565M-D		Q228	8-729-140-04	TRANSISTOR	2SB1116A-L
IC305	8-759-701-59	IC NJM78M09FA		Q301	6-550-296-01	TRANSISTOR	2SA1980G
IC306	6-701-760-01	IC uPC3504AHF		Q302	8-729-120-28	TRANSISTOR	2SC1623-L5L6
IC308	8-759-701-59	IC NJM78M09FA		Q304	8-729-041-19	TRANSISTOR	2SA953-T-K
IC309	6-704-046-01	IC BU2099FV		Q310	8-729-052-79	TRANSISTOR	2SD1306NETL
IC310	6-704-046-01	IC BU2099FV		Q311	8-729-052-79	TRANSISTOR	2SD1306NETL
IC313	8-759-231-57	IC TA7810S		Q312	6-550-289-01	TRANSISTOR	2SA1235F
		< JACK >		Q314	8-729-045-62	FET	2SK2158-T2B
JK302	1-793-987-11	JACK, PIN 2P (MD (VIDEO) IN)		Q315	8-729-045-62	FET	2SK2158-T2B
		< SHORT >		Q316	8-729-045-62	FET	2SK2158-T2B
JR124	1-216-864-11	SHORT CHIP	0 (AEP, UK, CIS)	Q317	8-729-045-62	FET	2SK2158-T2B
JR300	1-216-864-11	SHORT CHIP	0	Q318	8-729-045-62	FET	2SK2158-T2B
				Q319	8-729-045-62	FET	2SK2158-T2B
				Q320	8-729-045-62	FET	2SK2158-T2B
				Q323	8-729-120-28	TRANSISTOR	2SC1623-L5L6
				Q324	8-729-120-28	TRANSISTOR	2SC1623-L5L6
				Q327	6-550-289-01	TRANSISTOR	2SA1235F
				Q328	8-729-041-19	TRANSISTOR	2SA953-T-K

Ref. No.	Part No.	Description	Remark	Ref. No.	Part No.	Description	Remark
Q330	8-729-120-28	TRANSISTOR	2SC1623-L5L6	R315	1-216-833-11	METAL CHIP	10K 5% 1/10W
Q331	6-550-289-01	TRANSISTOR	2SA1235F	R316	1-216-833-11	METAL CHIP	10K 5% 1/10W
Q372	8-729-120-28	TRANSISTOR	2SC1623-L5L6	R317	1-216-825-11	METAL CHIP	2.2K 5% 1/10W
Q373	8-729-142-46	TRANSISTOR	2SC2001-LK	R318	1-216-825-11	METAL CHIP	2.2K 5% 1/10W
Q491	8-729-120-28	TRANSISTOR	2SC1623-L5L6	R319	1-216-821-11	METAL CHIP	1K 5% 1/10W
Q492	8-729-045-62	FET	2SK2158-T2B	R320	1-216-821-11	METAL CHIP	1K 5% 1/10W
		< RESISTOR >		R321	1-216-835-11	METAL CHIP	15K 5% 1/10W
R101	1-216-833-11	METAL CHIP	10K 5% 1/10W	R322	1-216-835-11	METAL CHIP	15K 5% 1/10W
R102	1-216-833-11	METAL CHIP	10K 5% 1/10W	R323	1-216-821-11	METAL CHIP	1K 5% 1/10W
R215	1-216-829-11	METAL CHIP	4.7K 5% 1/10W	R324	1-216-821-11	METAL CHIP	1K 5% 1/10W
R216	1-216-829-11	METAL CHIP	4.7K 5% 1/10W	R325	1-216-833-11	METAL CHIP	10K 5% 1/10W
R225	1-216-833-11	METAL CHIP	10K 5% 1/10W	R326	1-216-833-11	METAL CHIP	10K 5% 1/10W
R220	1-216-833-11	METAL CHIP	10K 5% 1/10W	R327	1-216-829-11	METAL CHIP	4.7K 5% 1/10W (E, E51, SP, AUS)
R226	1-216-833-11	METAL CHIP	10K 5% 1/10W	R328	1-216-839-11	METAL CHIP	33K 5% 1/10W
R231	1-216-825-11	METAL CHIP	2.2K 5% 1/10W	R329	1-216-295-00	SHORT CHIP	0 (SUFFIX-13)
R232	1-216-825-11	METAL CHIP	2.2K 5% 1/10W	R330	1-216-833-11	METAL CHIP	10K 5% 1/10W
R233	1-216-837-11	METAL CHIP	22K 5% 1/10W	R331	1-216-823-11	METAL CHIP	1.5K 5% 1/10W (AEP, UK, CIS)
R234	1-216-837-11	METAL CHIP	22K 5% 1/10W	R331	1-216-827-11	METAL CHIP	3.3K 5% 1/10W (E, E51, SP, AUS)
R235	1-216-833-11	METAL CHIP	10K 5% 1/10W	R332	1-216-841-11	METAL CHIP	47K 5% 1/10W
R241	1-216-829-11	METAL CHIP	4.7K 5% 1/10W	R333	1-216-833-11	METAL CHIP	10K 5% 1/10W
R242	1-216-829-11	METAL CHIP	4.7K 5% 1/10W	R334	1-216-832-11	METAL CHIP	8.2K 5% 1/10W
R245	1-216-833-11	METAL CHIP	10K 5% 1/10W	R335	1-216-842-11	METAL CHIP	56K 5% 1/10W
R246	1-216-841-11	METAL CHIP	47K 5% 1/10W	R336	1-216-836-11	METAL CHIP	18K 5% 1/10W (AEP, UK, CIS)
R251	1-216-793-11	METAL CHIP	4.7 5% 1/10W	R336	1-216-838-11	METAL CHIP	27K 5% 1/10W (E, E51, SP, AUS)
R252	1-216-837-11	METAL CHIP	22K 5% 1/10W	R337	1-216-823-11	METAL CHIP	1.5K 5% 1/10W
R253	1-216-833-11	METAL CHIP	10K 5% 1/10W	R338	1-216-829-11	METAL CHIP	4.7K 5% 1/10W
R260	1-216-813-11	METAL CHIP	220 5% 1/10W	R339	1-216-821-11	METAL CHIP	1K 5% 1/10W
R265	1-216-829-11	METAL CHIP	4.7K 5% 1/10W	R340	1-216-830-11	METAL CHIP	5.6K 5% 1/10W (E, E51, SP, AUS)
R266	1-216-829-11	METAL CHIP	4.7K 5% 1/10W	R340	1-216-833-11	METAL CHIP	10K 5% 1/10W (AEP, UK, CIS)
R267	1-216-829-11	METAL CHIP	4.7K 5% 1/10W	R341	1-216-833-11	METAL CHIP	10K 5% 1/10W (SUFFIX-13)
R268	1-216-829-11	METAL CHIP	4.7K 5% 1/10W	R346	1-216-837-11	METAL CHIP	22K 5% 1/10W
R269	1-216-833-11	METAL CHIP	10K 5% 1/10W	R347	1-216-829-11	METAL CHIP	4.7K 5% 1/10W
R270	1-216-833-11	METAL CHIP	10K 5% 1/10W	R348	1-216-864-11	SHORT CHIP	0
R271	1-216-833-11	METAL CHIP	10K 5% 1/10W	R352	1-218-717-11	METAL CHIP	11K 5% 1/10W
R272	1-216-833-11	METAL CHIP	10K 5% 1/10W	R353	1-218-717-11	METAL CHIP	11K 5% 1/10W
R273	1-216-833-11	METAL CHIP	10K 5% 1/10W	R354	1-216-841-11	METAL CHIP	47K 5% 1/10W
R278	1-216-837-11	METAL CHIP	22K 5% 1/10W	R355	1-216-825-11	METAL CHIP	2.2K 5% 1/10W
R282	1-216-809-11	METAL CHIP	100 5% 1/10W	R356	1-216-825-11	METAL CHIP	2.2K 5% 1/10W
R283	1-216-833-11	METAL CHIP	10K 5% 1/10W	R358	1-216-837-11	METAL CHIP	22K 5% 1/10W
R284	1-216-833-11	METAL CHIP	10K 5% 1/10W	R359	1-216-853-11	METAL CHIP	470K 5% 1/10W
R285	1-216-833-11	METAL CHIP	10K 5% 1/10W	R361	1-216-830-11	METAL CHIP	5.6K 5% 1/10W
R286	1-216-833-11	METAL CHIP	10K 5% 1/10W	R362	1-216-837-11	METAL CHIP	22K 5% 1/10W
R287	1-216-833-11	METAL CHIP	10K 5% 1/10W	R363	1-216-837-11	METAL CHIP	22K 5% 1/10W
R288	1-216-833-11	METAL CHIP	10K 5% 1/10W	R364	1-216-845-11	METAL CHIP	100K 5% 1/10W
R299	1-216-833-11	METAL CHIP	10K 5% 1/10W	R365	1-216-857-11	METAL CHIP	1M 5% 1/10W
R300	1-216-829-11	METAL CHIP	4.7K 5% 1/10W	R366	1-216-814-11	METAL CHIP	270 5% 1/10W
R301	1-216-829-11	METAL CHIP	4.7K 5% 1/10W	R367	1-216-829-11	METAL CHIP	4.7K 5% 1/10W
R302	1-216-829-11	METAL CHIP	4.7K 5% 1/10W	R368	1-216-809-11	METAL CHIP	100 5% 1/10W
R303	1-216-837-11	METAL CHIP	22K 5% 1/10W	R370	1-216-833-11	METAL CHIP	10K 5% 1/10W
R304	1-216-837-11	METAL CHIP	22K 5% 1/10W	R371	1-216-829-11	METAL CHIP	4.7K 5% 1/10W
R307	1-216-809-11	METAL CHIP	100 5% 1/10W	R372	1-216-829-11	METAL CHIP	4.7K 5% 1/10W
R309	1-216-864-11	SHORT CHIP	0				
R310	1-216-864-11	SHORT CHIP	0				
R313	1-216-845-11	METAL CHIP	100K 5% 1/10W				
R314	1-216-845-11	METAL CHIP	100K 5% 1/10W				

MAIN					MICROPHONE					MOTOR (LD)					MOTOR (TB)				
Ref. No.	Part No.	Description		Remark	Ref. No.	Part No.	Description		Remark	Ref. No.	Part No.	Description		Remark	Ref. No.	Part No.	Description		Remark
R375	1-216-829-11	METAL CHIP	4.7K	5% 1/10W (E, E51, SP, AUS)	R432	1-216-809-11	METAL CHIP	100	5% 1/10W	△ R433	1-215-891-11	METAL OXIDE	680	5% 2W F	△ R434	1-215-891-11	METAL OXIDE	680	5% 2W F
R375	1-216-833-11	METAL CHIP	10K	5% 1/10W (AEP, UK, CIS)	R455	1-218-717-11	METAL CHIP	11K	5% 1/10W	R460	1-216-825-11	METAL CHIP	2.2K	5% 1/10W	R461	1-216-825-11	METAL CHIP	2.2K	5% 1/10W
R378	1-216-833-11	METAL CHIP	10K	5% 1/10W	R466	1-216-837-11	METAL CHIP	22K	5% 1/10W	R467	1-216-823-11	METAL CHIP	1.5K	5% 1/10W	R468	1-216-844-11	METAL CHIP	82K	5% 1/10W
R379	1-216-825-11	METAL CHIP	2.2K	5% 1/10W	R470	1-216-827-11	METAL CHIP	3.3K	5% 1/10W	R478	1-216-825-11	METAL CHIP	2.2K	5% 1/10W (E, E51, SP, AUS)					
R380	1-216-853-11	METAL CHIP	470K	5% 1/10W															
R384	1-216-821-11	METAL CHIP	1K	5% 1/10W															
R386	1-216-833-11	METAL CHIP	10K	5% 1/10W															
R387	1-216-834-11	METAL CHIP	12K	5% 1/10W															
R388	1-216-821-11	METAL CHIP	1K	5% 1/10W															
R390	1-216-833-11	METAL CHIP	10K	5% 1/10W (SUFFIX-13)	R479	1-216-841-11	METAL CHIP	47K	5% 1/10W	R480	1-216-833-11	METAL CHIP	10K	5% 1/10W	R481	1-216-829-11	METAL CHIP	4.7K	5% 1/10W
R391	1-216-841-11	METAL CHIP	47K	5% 1/10W	R482	1-216-829-11	METAL CHIP	4.7K	5% 1/10W	R483	1-216-821-11	METAL CHIP	1K	5% 1/10W					
R392	1-216-813-11	METAL CHIP	220	5% 1/10W	R484	1-216-833-11	METAL CHIP	10K	5% 1/10W	R485	1-216-809-11	METAL CHIP	100	5% 1/10W	R486	1-216-809-11	METAL CHIP	100	5% 1/10W
R393	1-216-833-11	METAL CHIP	10K	5% 1/10W	R487	1-216-296-11	SHORT CHIP	0		R488	1-216-296-11	SHORT CHIP	0						
R394	1-216-001-00	RES-CHIP	10	5% 1/10W	R491	1-216-849-11	METAL CHIP	220K	5% 1/10W	R492	1-216-849-11	METAL CHIP	220K	5% 1/10W	R493	1-216-845-11	METAL CHIP	100K	5% 1/10W
R395	1-216-825-11	METAL CHIP	2.2K	5% 1/10W	R494	1-216-849-11	METAL CHIP	220K	5% 1/10W	R495	1-216-837-11	METAL CHIP	22K	5% 1/10W					
R396	1-216-825-11	METAL CHIP	2.2K	5% 1/10W	R498	1-216-833-11	METAL CHIP	10K	5% 1/10W (SUFFIX-13)	R499	1-216-833-11	METAL CHIP	10K	5% 1/10W (SUFFIX-13)					
R397	1-216-821-11	METAL CHIP	1K	5% 1/10W															
R398	1-216-830-11	METAL CHIP	5.6K	5% 1/10W (E, E51, SP, AUS)															
R398	1-216-833-11	METAL CHIP	10K	5% 1/10W (AEP, UK, CIS)															
R399	1-216-830-11	METAL CHIP	5.6K	5% 1/10W (E, E51, SP, AUS)															
R399	1-216-833-11	METAL CHIP	10K	5% 1/10W (AEP, UK, CIS)															
R400	1-216-833-11	METAL CHIP	10K	5% 1/10W															
R401	1-216-833-11	METAL CHIP	10K	5% 1/10W															
R402	1-216-833-11	METAL CHIP	10K	5% 1/10W															
R403	1-216-820-11	METAL CHIP	820	5% 1/10W (E, E51, SP, AUS)															
R403	1-216-823-11	METAL CHIP	1.5K	5% 1/10W (AEP, UK, CIS)															
R404	1-216-833-11	METAL CHIP	10K	5% 1/10W															
R405	1-216-833-11	METAL CHIP	10K	5% 1/10W															
R406	1-216-837-11	METAL CHIP	22K	5% 1/10W															
R407	1-216-833-11	METAL CHIP	10K	5% 1/10W															
R408	1-216-833-11	METAL CHIP	10K	5% 1/10W															
R409	1-216-833-11	METAL CHIP	10K	5% 1/10W															
R410	1-216-833-11	METAL CHIP	10K	5% 1/10W															
R412	1-216-833-11	METAL CHIP	10K	5% 1/10W															
R413	1-216-833-11	METAL CHIP	10K	5% 1/10W															
R414	1-216-833-11	METAL CHIP	10K	5% 1/10W															
R415	1-216-833-11	METAL CHIP	10K	5% 1/10W															
R416	1-216-833-11	METAL CHIP	10K	5% 1/10W															
R417	1-216-833-11	METAL CHIP	10K	5% 1/10W															
R418	1-216-833-11	METAL CHIP	10K	5% 1/10W															
R419	1-216-833-11	METAL CHIP	10K	5% 1/10W															
R420	1-216-833-11	METAL CHIP	10K	5% 1/10W															
R421	1-216-833-11	METAL CHIP	10K	5% 1/10W															
R424	1-216-837-11	METAL CHIP	22K	5% 1/10W															
R425	1-216-837-11	METAL CHIP	22K	5% 1/10W															
R426	1-216-837-11	METAL CHIP	22K	5% 1/10W															
R427	1-216-296-11	SHORT CHIP	0																
R428	1-216-296-11	SHORT CHIP	0																
R430	1-216-833-11	METAL CHIP	10K	5% 1/10W															
R431	1-216-847-11	METAL CHIP	150K	5% 1/10W															

1-688-547-11 MICROPHONE BOARD (E, E51, SP, AUS)

< CONNECTOR >

* CN402 1-695-326-31 PIN, CONNECTOR (PC BOARD) 3P

< JACK >

J401 1-770-226-11 JACK (LARGE TYPE) (MIC)

1-687-133-11 MOTOR (LD) BOARD

1-687-134-11 MOTOR (TB) BOARD

< CONNECTOR >

CN742 1-784-727-11 CONNECTOR, FFC 5P

The components identified by mark △ or dotted line with mark △ are critical for safety.
Replace only with part number specified.

PANEL

Ref. No.	Part No.	Description	Remark	Ref. No.	Part No.	Description	Remark
A-4734-174-A	PANEL BOARD, COMPLETE (AEP, UK)			C504	1-126-964-11	ELECT 10uF	20% 50V
A-4734-290-A	PANEL BOARD, COMPLETE (E51)			C505	1-126-916-11	ELECT 1000uF	20% 6.3V
A-4734-798-A	PANEL BOARD, COMPLETE (CIS)			C506	1-164-156-11	CERAMIC CHIP 0.1uF	25V
A-4734-949-A	PANEL BOARD, COMPLETE (E, SP, AUS)			C507	1-164-156-11	CERAMIC CHIP 0.1uF	25V
	*****			C508	1-164-156-11	CERAMIC CHIP 0.1uF	25V
4-245-133-01	GUIDE, FL			C509	1-124-248-00	ELECT 22uF	20% 35V
	< CAPACITOR >			C510	1-164-156-11	CERAMIC CHIP 0.1uF	25V
C201	1-126-960-11	ELECT 1uF	20% 50V	C511	1-162-964-11	CERAMIC CHIP 0.001uF	10% 50V
C202	1-162-966-11	CERAMIC CHIP 0.0022uF	10% 50V	C513	1-162-970-11	CERAMIC CHIP 0.01uF	10% 25V
C203	1-126-965-11	ELECT 22uF	20% 50V	C801	1-162-964-11	CERAMIC CHIP 0.001uF	10% 50V
C204	1-164-345-11	CERAMIC CHIP 0.082uF	10% 25V	C802	1-162-964-11	CERAMIC CHIP 0.001uF	10% 50V
C205	1-164-004-11	CERAMIC CHIP 0.1uF	10% 25V	C803	1-162-964-11	CERAMIC CHIP 0.001uF	10% 50V
C207	1-163-023-00	CERAMIC CHIP 0.015uF	5% 50V	C804	1-162-964-11	CERAMIC CHIP 0.001uF	10% 50V
C208	1-162-967-11	CERAMIC CHIP 0.0033uF	10% 50V	C805	1-128-821-11	CERAMIC 1000PF	5% 50V
C210	1-162-967-11	CERAMIC CHIP 0.0033uF	10% 50V	C806	1-128-821-11	CERAMIC 1000PF	5% 50V
C211	1-163-021-11	CERAMIC CHIP 0.01uF	10% 50V	C807	1-162-964-11	CERAMIC CHIP 0.001uF	10% 50V
C214	1-162-919-11	CERAMIC CHIP 22PF	5% 50V	C808	1-162-964-11	CERAMIC CHIP 0.001uF	10% 50V
C215	1-162-919-11	CERAMIC CHIP 22PF	5% 50V	C809	1-124-589-11	ELECT 47uF	20% 16V
C216	1-162-919-11	CERAMIC CHIP 22PF	5% 50V	C902	1-162-927-11	CERAMIC CHIP 100PF	5% 50V
C217	1-162-919-11	CERAMIC CHIP 22PF	5% 50V	C903	1-162-927-11	CERAMIC CHIP 100PF	5% 50V
C218	1-162-919-11	CERAMIC CHIP 22PF	5% 50V	C904	1-162-927-11	CERAMIC CHIP 100PF	5% 50V
C219	1-162-919-11	CERAMIC CHIP 22PF	5% 50V	C905	1-162-927-11	CERAMIC CHIP 100PF	5% 50V
C221	1-164-004-11	CERAMIC CHIP 0.1uF	10% 25V	C906	1-162-927-11	CERAMIC CHIP 100PF	5% 50V
C401	1-164-156-11	CERAMIC CHIP 0.1uF	25V	C907	1-162-927-11	CERAMIC CHIP 100PF	5% 50V
C402	1-164-156-11	CERAMIC CHIP 0.1uF	(E, E51, SP, AUS) 25V	C908	1-162-927-11	CERAMIC CHIP 100PF	5% 50V
C403	1-162-968-11	CERAMIC CHIP 0.0047uF	(E, E51, SP, AUS) 10% 50V	C909	1-162-927-11	CERAMIC CHIP 100PF	5% 50V
C404	1-126-961-11	ELECT 2.2uF	(E, E51, SP, AUS) 20% 50V	C910	1-162-927-11	CERAMIC CHIP 100PF	5% 50V
C405	1-126-964-11	ELECT 10uF	(E, E51, SP, AUS) 20% 50V	C911	1-162-927-11	CERAMIC CHIP 100PF	5% 50V
C406	1-126-934-11	ELECT 220uF	(E, E51, SP, AUS) 20% 10V	C914	1-119-772-11	ELECT 47uF	20% 35V
C407	1-162-926-11	CERAMIC CHIP 82PF	(E, E51, SP, AUS) 5% 50V	C915	1-127-880-11	CERAMIC 0.022uF	10% 50V
C408	1-126-956-11	ELECT 0.1uF	(E, E51, SP, AUS) 20% 50V	C916	1-126-963-11	ELECT 4.7uF	20% 50V
C409	1-126-964-11	ELECT 10uF	(E, E51, SP, AUS) 20% 50V	C917	1-126-963-11	ELECT 4.7uF	20% 50V
C410	1-126-965-11	ELECT 22uF	(E, E51, SP, AUS) 20% 50V	C918	1-164-156-11	CERAMIC CHIP 0.1uF	25V
C411	1-164-739-11	CERAMIC CHIP 560PF	(E, E51, SP, AUS) 5% 50V	C919	1-162-918-11	CERAMIC CHIP 18PF	5% 50V
C412	1-126-960-11	ELECT 1uF	(E, E51, SP, AUS) 20% 50V	C920	1-162-919-11	CERAMIC CHIP 22PF	5% 50V
C413	1-126-960-11	ELECT 1uF	(E, E51, SP, AUS) 20% 50V	C921	1-164-156-11	CERAMIC CHIP 0.1uF	25V
C414	1-164-156-11	CERAMIC CHIP 0.1uF	(E, E51, SP, AUS) 25V	C922	1-162-919-11	CERAMIC CHIP 22PF	5% 50V
C415	1-164-156-11	CERAMIC CHIP 0.1uF	(E, E51, SP, AUS) 25V	C923	1-162-919-11	CERAMIC CHIP 22PF	5% 50V
C434	1-126-957-11	ELECT 0.22uF	(E, E51, SP, AUS) 20% 50V	C926	1-164-156-11	CERAMIC CHIP 0.1uF	25V
C441	1-164-156-11	CERAMIC CHIP 0.1uF	(E, E51, SP, AUS) 25V	C927	1-164-156-11	CERAMIC CHIP 0.1uF	25V
C501	1-107-682-11	CERAMIC CHIP 1uF	10% 16V	C931	1-164-245-11	CERAMIC CHIP 0.015uF	10% 25V
C502	1-107-682-11	CERAMIC CHIP 1uF	10% 16V	C932	1-164-245-11	CERAMIC CHIP 0.015uF	10% 25V
				C933	1-164-245-11	CERAMIC CHIP 0.015uF	10% 25V
					< CONNECTOR >		
				CN101	1-784-792-11	CONNECTOR, FFC 31P	
				CN301	1-568-826-11	CONNECTOR, FFC 7P	
				* CN401	1-695-326-31	PIN, CONNECTOR (PC BOARD) 3P	(E, E51, SP, AUS)
				CN601	1-784-774-11	CONNECTOR, FFC 13P	
				CN701	1-568-828-11	CONNECTOR, FFC 9P	
					< DIODE >		
				D101	8-719-991-33	DIODE 1SS133T-77	
				D201	8-719-991-33	DIODE 1SS133T-77	
				D401	8-719-991-33	DIODE 1SS133T-77 (E, E51, SP, AUS)	
				D402	8-719-991-33	DIODE 1SS133T-77 (E, E51, SP, AUS)	
				D501	8-719-991-33	DIODE 1SS133T-77	

PANEL

Ref. No.	Part No.	Description	Remark	Ref. No.	Part No.	Description	Remark
D502	8-719-991-33	DIODE 1SS133T-77		JR401	1-216-864-11	SHORT CHIP	0
D503	8-719-991-33	DIODE 1SS133T-77		JR403	1-216-296-11	SHORT CHIP	0 (E, E51, SP, AUS)
D504	8-719-991-33	DIODE 1SS133T-77		JR601	1-216-864-11	SHORT CHIP	0
D505	8-719-991-33	DIODE 1SS133T-77		JR602	1-216-864-11	SHORT CHIP	0
D506	8-719-991-33	DIODE 1SS133T-77		JR603	1-216-864-11	SHORT CHIP	0
D510	8-719-991-33	DIODE 1SS133T-77		JR604	1-216-864-11	SHORT CHIP	0
D511	8-719-991-33	DIODE 1SS133T-77		JR605	1-216-864-11	SHORT CHIP	0
D601	8-719-991-33	DIODE 1SS133T-77		JR606	1-216-864-11	SHORT CHIP	0
D602	8-719-991-33	DIODE 1SS133T-77		JR607	1-216-864-11	SHORT CHIP	0
D603	8-719-820-05	DIODE 1SS181		JR608	1-216-296-11	SHORT CHIP	0
D604	8-719-820-05	DIODE 1SS181		JR609	1-216-864-11	SHORT CHIP	0
D605	8-719-820-05	DIODE 1SS181		JR802	1-216-864-11	SHORT CHIP	0
D606	8-719-820-05	DIODE 1SS181		JR810	1-216-864-11	SHORT CHIP	0
D607	8-719-820-05	DIODE 1SS181		JR901	1-216-864-11	SHORT CHIP	0
D608	8-719-820-05	DIODE 1SS181		JR902	1-216-864-11	SHORT CHIP	0
D609	8-719-820-05	DIODE 1SS181		JR903	1-216-864-11	SHORT CHIP	0
D610	8-719-820-05	DIODE 1SS181		JR904	1-216-296-11	SHORT CHIP	0
D611	8-719-991-33	DIODE 1SS133T-77 (CIS, E, SP, AUS)		JR905	1-216-864-11	SHORT CHIP	0
D613	8-719-991-33	DIODE 1SS133T-77 (CIS, E51)		JR906	1-216-864-11	SHORT CHIP	0
D614	8-719-991-33	DIODE 1SS133T-77 (AEP, UK, CIS)		JR907	1-216-296-11	SHORT CHIP	0
D615	8-719-991-33	DIODE 1SS133T-77 (AEP, UK)		JR908	1-216-864-11	SHORT CHIP	0
		< FERRITE BEAD >		JR910	1-216-864-11	SHORT CHIP	0
FB401	1-410-396-41	FERRITE 0.45uH(E, E51, SP, AUS)		JR912	1-216-864-11	SHORT CHIP	0
		< FLUORESCENT INDICATOR TUBE >		JR913	1-216-296-11	SHORT CHIP	0
FL901	1-518-896-11	INDICATOR TUBE, FLUORESCENT				< LED >	
		< IC >		LED201	8-719-063-93	LED SLR325VC-N-T32 (CD)	
IC201	6-704-046-01	IC BU2099FV		LED202	8-719-063-93	LED SLR325VC-N-T32 (TUNER BAND)	
IC202	6-704-046-01	IC BU2099FV		LED203	8-719-063-93	LED SLR325VC-N-T32 (MD (VIDEO))	
IC401	8-759-710-97	IC NJM4565M (TE2) (E, E51, SP, AUS)		LED204	8-719-063-93	LED SLR325VC-N-T32 (TAPE A/B)	
IC501	6-704-135-01	IC MM1614A		LED205	8-719-063-93	LED SLR325VC-N-T32 (HAVEY)	
IC502	8-759-533-04	IC M62703ML-E1		LED206	8-719-063-93	LED SLR325VC-N-T32 (VOCAL)	
IC802	6-600-217-01	IC RPM7238-H4		LED207	8-719-063-93	LED SLR325VC-N-T32 (SALSA)	
IC901	6-803-011-01	IC LC876796B-51F6		LED208	8-719-063-93	LED SLR325VC-N-T32 (TECHNO)	
		< SHORT >		LED209	8-719-063-93	LED SLR325VC-N-T32 (HIP POP)	
JR101	1-216-296-11	SHORT CHIP	0	LED210	8-719-063-93	LED SLR325VC-N-T32 (MANUAL)	
JR107	1-216-296-11	SHORT CHIP	0	LED213	8-719-063-93	LED SLR325VC-N-T32 (i-BASS)	
JR108	1-216-296-11	SHORT CHIP	0	LED901	6-500-641-01	LED SLI-325URC (POWER ⏻ STANDBY/ON)	
JR202	1-216-864-11	SHORT CHIP	0			< TRANSISTOR >	
JR203	1-216-864-11	SHORT CHIP	0	Q201	8-729-120-28	TRANSISTOR 2SC1623-L5L6	
JR204	1-216-864-11	SHORT CHIP	0	Q202	8-729-120-28	TRANSISTOR 2SC1623-L5L6	
JR205	1-216-296-11	SHORT CHIP	0	Q204	8-729-027-46	TRANSISTOR DTC114YKA-T146	
JR206	1-216-296-11	SHORT CHIP	0	Q205	8-729-027-46	TRANSISTOR DTC114YKA-T146	
JR208	1-216-296-11	SHORT CHIP	0	Q206	8-729-027-46	TRANSISTOR DTC114YKA-T146	
JR209	1-216-296-11	SHORT CHIP	0	Q401	8-729-045-62	FET 2SK2158-T2B	(E, E51, SP, AUS)
JR210	1-216-296-11	SHORT CHIP	0	Q504	8-752-027-31	TRANSISTOR DTA124EKA-T146	
JR211	1-216-296-11	SHORT CHIP	0	Q505	8-752-027-59	TRANSISTOR DTC144EKA-T146	
JR213	1-216-296-11	SHORT CHIP	0	Q601	8-729-116-57	TRANSISTOR 2SB1068-K	
JR215	1-216-296-11	SHORT CHIP	0	Q602	8-729-140-04	TRANSISTOR 2SB1116A-L	
JR217	1-216-296-11	SHORT CHIP	0	Q603	8-729-140-04	TRANSISTOR 2SB1116A-L	
JR218	1-216-296-11	SHORT CHIP	0	Q901	8-729-120-28	TRANSISTOR 2SC1623-L5L6	
JR219	1-216-296-11	SHORT CHIP	0	Q921	8-729-027-23	TRANSISTOR DTA114EKA-T146	
JR220	1-216-296-11	SHORT CHIP	0			< RESISTOR >	
JR221	1-216-864-11	SHORT CHIP	0	R102	1-247-807-31	CARBON 100 5% 1/4W	

PANEL

Ref. No.	Part No.	Description			Remark	Ref. No.	Part No.	Description			Remark
R104	1-216-821-11	METAL CHIP	1K	5%	1/10W	R247	1-249-429-11	CARBON	10K	5%	1/4W
R105	1-249-417-11	CARBON	1K	5%	1/4W	R248	1-249-433-11	CARBON	22K	5%	1/4W
R106	1-249-417-11	CARBON	1K	5%	1/4W	R249	1-249-433-11	CARBON	22K	5%	1/4W
R107	1-249-417-11	CARBON	1K	5%	1/4W						
R108	1-216-821-11	METAL CHIP	1K	5%	1/10W	R250	1-249-433-11	CARBON	22K	5%	1/4W
R109	1-216-821-11	METAL CHIP	1K	5%	1/10W	R252	1-247-807-31	CARBON	100	5%	1/4W
R110	1-216-821-11	METAL CHIP	1K	5%	1/10W	R301	1-249-413-11	CARBON	470	5%	1/4W
R111	1-249-417-11	CARBON	1K	5%	1/4W	R302	1-249-415-11	CARBON	680	5%	1/4W
R112	1-249-417-11	CARBON	1K	5%	1/4W	R303	1-249-417-11	CARBON	1K	5%	1/4W
R113	1-249-417-11	CARBON	1K	5%	1/4W	R304	1-216-823-11	METAL CHIP	1.5K	5%	1/10W
R114	1-249-417-11	CARBON	1K	5%	1/4W	R305	1-216-823-11	METAL CHIP	1.5K	5%	1/10W
					(AEP, UK)	R306	1-249-421-11	CARBON	2.2K	5%	1/4W
R115	1-249-417-11	CARBON	1K	5%	1/4W	R307	1-247-843-11	CARBON	3.3K	5%	1/4W
					(AEP, UK)	R308	1-249-425-11	CARBON	4.7K	5%	1/4W
R116	1-249-393-11	CARBON	10	5%	1/4W	R309	1-249-427-11	CARBON	6.8K	5%	1/4W
R119	1-216-864-11	SHORT CHIP	0			R311	1-249-413-11	CARBON	470	5%	1/4W
R120	1-216-845-11	METAL CHIP	100K	5%	1/10W	R312	1-249-415-11	CARBON	680	5%	1/4W
R121	1-216-849-11	METAL CHIP	220K	5%	1/10W	R313	1-249-417-11	CARBON	1K	5%	1/4W
R122	1-216-837-11	METAL CHIP	22K	5%	1/10W	R314	1-216-823-11	METAL CHIP	1.5K	5%	1/10W
R125	1-249-433-11	CARBON	22K	5%	1/4W	R315	1-216-202-00	RES-CHIP	1.5K	5%	1/8W
R126	1-249-433-11	CARBON	22K	5%	1/4W	R316	1-249-421-11	CARBON	2.2K	5%	1/4W
R201	1-216-823-11	METAL CHIP	1.5K	5%	1/10W	R317	1-247-843-11	CARBON	3.3K	5%	1/4W
R202	1-216-809-11	METAL CHIP	100	5%	1/10W	R318	1-249-425-11	CARBON	4.7K	5%	1/4W
R203	1-216-849-11	METAL CHIP	220K	5%	1/10W	R319	1-249-427-11	CARBON	6.8K	5%	1/4W
R204	1-216-840-11	METAL CHIP	39K	5%	1/10W	R320	1-249-429-11	CARBON	10K	5%	1/4W
R205	1-216-829-11	METAL CHIP	4.7K	5%	1/10W	R321	1-249-413-11	CARBON	470	5%	1/4W
R206	1-216-864-11	SHORT CHIP	0			R322	1-249-415-11	CARBON	680	5%	1/4W
R208	1-216-825-11	METAL CHIP	2.2K	5%	1/10W	R323	1-216-821-11	METAL CHIP	1K	5%	1/10W
R210	1-216-809-11	METAL CHIP	100	5%	1/10W	R324	1-249-419-11	CARBON	1.5K	5%	1/4W
R211	1-216-833-11	METAL CHIP	10K	5%	1/10W	R325	1-249-419-11	CARBON	1.5K	5%	1/4W
R212	1-216-851-11	METAL CHIP	330K	5%	1/10W	R326	1-216-825-11	METAL CHIP	2.2K	5%	1/10W
R213	1-216-829-11	METAL CHIP	4.7K	5%	1/10W	R351	1-249-431-11	CARBON	15K	5%	1/4W
R214	1-216-849-11	METAL CHIP	220K	5%	1/10W	R352	1-249-431-11	CARBON	15K	5%	1/4W
R215	1-216-809-11	METAL CHIP	100	5%	1/10W	R353	1-249-431-11	CARBON	15K	5%	1/4W
R216	1-216-851-11	METAL CHIP	330K	5%	1/10W	R401	1-216-845-11	METAL CHIP	100K	5%	1/10W
R217	1-216-849-11	METAL CHIP	220K	5%	1/10W	R402	1-216-829-11	METAL CHIP	4.7K	5%	1/10W
R218	1-216-809-11	METAL CHIP	100	5%	1/10W						(E, E51, SP, AUS)
R219	1-216-833-11	METAL CHIP	10K	5%	1/10W	R403	1-216-849-11	METAL CHIP	220K	5%	1/10W
R220	1-216-849-11	METAL CHIP	220K	5%	1/10W						(E, E51, SP, AUS)
R221	1-216-841-11	METAL CHIP	47K	5%	1/10W	R404	1-216-809-11	METAL CHIP	100	5%	1/10W
R222	1-216-849-11	METAL CHIP	220K	5%	1/10W						(E, E51, SP, AUS)
R223	1-216-809-11	METAL CHIP	100	5%	1/10W	R405	1-216-825-11	METAL CHIP	2.2K	5%	1/10W
R226	1-249-429-11	CARBON	10K	5%	1/4W						(E, E51, SP, AUS)
R227	1-216-222-00	RES-CHIP	10K	5%	1/8W	R406	1-216-850-11	METAL CHIP	270K	5%	1/10W
R228	1-249-429-11	CARBON	10K	5%	1/4W						(E, E51, SP, AUS)
R231	1-249-417-11	CARBON	1K	5%	1/4W	R407	1-216-821-11	METAL CHIP	1K	5%	1/10W
R232	1-249-417-11	CARBON	1K	5%	1/4W						(E, E51, SP, AUS)
R233	1-216-198-00	RES-CHIP	1K	5%	1/8W	R408	1-247-807-31	CARBON	100	5%	1/4W
R234	1-249-417-11	CARBON	1K	5%	1/4W						(E, E51, SP, AUS)
R235	1-249-417-11	CARBON	1K	5%	1/4W	R409	1-249-413-11	CARBON	470	5%	1/4W
R236	1-216-196-00	RES-CHIP	820	5%	1/8W						(E, E51, SP, AUS)
R237	1-216-196-00	RES-CHIP	820	5%	1/8W	R410	1-216-833-11	METAL CHIP	10K	5%	1/10W
R238	1-249-417-11	CARBON	1K	5%	1/4W						(E, E51, SP, AUS)
R239	1-216-196-00	RES-CHIP	820	5%	1/8W	R411	1-216-834-11	METAL CHIP	12K	5%	1/10W
R240	1-249-416-11	CARBON	820	5%	1/4W						(E, E51, SP, AUS)
R243	1-216-198-00	RES-CHIP	1K	5%	1/8W	R412	1-216-829-11	METAL CHIP	4.7K	5%	1/10W
R245	1-249-429-11	CARBON	10K	5%	1/4W						(E, E51, SP, AUS)
R246	1-216-222-00	RES-CHIP	10K	5%	1/8W	R413	1-216-840-11	METAL CHIP	39K	5%	1/10W
											(E, E51, SP, AUS)

PANEL

Ref. No.	Part No.	Description	Remark	Ref. No.	Part No.	Description	Remark
R414	1-216-797-11	METAL CHIP	10	5%	1/10W	(E, E51, SP, AUS)	R808 1-216-797-11 METAL CHIP 10 5% 1/10W
R415	1-247-807-31	CARBON	100	5%	1/4W	(E, E51, SP, AUS)	R809 1-249-429-11 CARBON 10K 5% 1/4W
R416	1-247-889-00	CARBON	270K	5%	1/4W	(E, E51, SP, AUS)	R810 1-249-429-11 CARBON 10K 5% 1/4W
R417	1-249-431-11	CARBON	15K	5%	1/4W	(E, E51, SP, AUS)	R811 1-249-393-11 CARBON 10 5% 1/4W
R418	1-216-853-11	METAL CHIP	470K	5%	1/10W	(E, E51, SP, AUS)	R812 1-249-393-11 CARBON 10 5% 1/4W
R419	1-216-821-11	METAL CHIP	1K	5%	1/10W	(E, E51, SP, AUS)	R813 1-216-833-11 METAL CHIP 10K 5% 1/10W
R432	1-216-841-11	METAL CHIP	47K	5%	1/10W	(E, E51, SP, AUS)	R814 1-216-833-11 METAL CHIP 10K 5% 1/10W
R501	1-216-190-00	RES-CHIP	470	5%	1/8W		R815 1-216-797-11 METAL CHIP 10 5% 1/10W
R502	1-216-841-11	METAL CHIP	47K	5%	1/10W		R816 1-216-797-11 METAL CHIP 10 5% 1/10W
R503	1-216-841-11	METAL CHIP	47K	5%	1/10W		R817 1-249-401-11 CARBON 47 5% 1/4W
R504	1-216-833-11	METAL CHIP	10K	5%	1/10W		R818 1-216-842-11 METAL CHIP 56K 5% 1/10W
R505	1-249-425-11	CARBON	4.7K	5%	1/4W		R902 1-216-845-11 METAL CHIP 100K 5% 1/10W
R506	1-216-190-00	RES-CHIP	470	5%	1/8W		R903 1-216-845-11 METAL CHIP 100K 5% 1/10W
R507	1-249-429-11	CARBON	10K	5%	1/4W		R904 1-216-845-11 METAL CHIP 100K 5% 1/10W
R601	1-216-841-11	METAL CHIP	47K	5%	1/10W		R905 1-216-845-11 METAL CHIP 100K 5% 1/10W
R602	1-216-841-11	METAL CHIP	47K	5%	1/10W		R906 1-216-845-11 METAL CHIP 100K 5% 1/10W
R603	1-216-841-11	METAL CHIP	47K	5%	1/10W		R907 1-216-845-11 METAL CHIP 100K 5% 1/10W
R604	1-216-841-11	METAL CHIP	47K	5%	1/10W		R908 1-216-845-11 METAL CHIP 100K 5% 1/10W
R605	1-216-841-11	METAL CHIP	47K	5%	1/10W		R909 1-216-845-11 METAL CHIP 100K 5% 1/10W
R606	1-216-841-11	METAL CHIP	47K	5%	1/10W		R910 1-216-845-11 METAL CHIP 100K 5% 1/10W
R607	1-216-821-11	METAL CHIP	1K	5%	1/10W		R911 1-216-845-11 METAL CHIP 100K 5% 1/10W
R608	1-216-821-11	METAL CHIP	1K	5%	1/10W		R912 1-216-845-11 METAL CHIP 100K 5% 1/10W
R609	1-216-821-11	METAL CHIP	1K	5%	1/10W		R913 1-216-845-11 METAL CHIP 100K 5% 1/10W
R610	1-216-821-11	METAL CHIP	1K	5%	1/10W		R914 1-216-845-11 METAL CHIP 100K 5% 1/10W
R611	1-216-821-11	METAL CHIP	1K	5%	1/10W		R915 1-216-845-11 METAL CHIP 100K 5% 1/10W
R612	1-216-821-11	METAL CHIP	1K	5%	1/10W		R916 1-216-845-11 METAL CHIP 100K 5% 1/10W
R613	1-249-421-11	CARBON	2.2K	5%	1/4W		R917 1-216-845-11 METAL CHIP 100K 5% 1/10W
R614	1-216-825-11	METAL CHIP	2.2K	5%	1/10W		R918 1-216-845-11 METAL CHIP 100K 5% 1/10W
R615	1-216-825-11	METAL CHIP	2.2K	5%	1/10W		R919 1-216-845-11 METAL CHIP 100K 5% 1/10W
R616	1-216-825-11	METAL CHIP	2.2K	5%	1/10W		R920 1-216-845-11 METAL CHIP 100K 5% 1/10W
R617	1-216-825-11	METAL CHIP	2.2K	5%	1/10W		R921 1-216-845-11 METAL CHIP 100K 5% 1/10W
R618	1-216-825-11	METAL CHIP	2.2K	5%	1/10W		R922 1-216-845-11 METAL CHIP 100K 5% 1/10W
R619	1-216-825-11	METAL CHIP	2.2K	5%	1/10W		R923 1-216-845-11 METAL CHIP 100K 5% 1/10W
R620	1-216-825-11	METAL CHIP	2.2K	5%	1/10W		R924 1-216-845-11 METAL CHIP 100K 5% 1/10W
R621	1-216-841-11	METAL CHIP	47K	5%	1/10W		R925 1-216-845-11 METAL CHIP 100K 5% 1/10W
R622	1-216-841-11	METAL CHIP	47K	5%	1/10W		R926 1-216-845-11 METAL CHIP 100K 5% 1/10W
R701	1-216-809-11	METAL CHIP	100	5%	1/10W		R927 1-216-845-11 METAL CHIP 100K 5% 1/10W
R702	1-216-809-11	METAL CHIP	100	5%	1/10W		R928 1-216-845-11 METAL CHIP 100K 5% 1/10W
R703	1-216-809-11	METAL CHIP	100	5%	1/10W		R929 1-216-845-11 METAL CHIP 100K 5% 1/10W
R704	1-216-809-11	METAL CHIP	100	5%	1/10W		R930 1-216-845-11 METAL CHIP 100K 5% 1/10W
R705	1-216-809-11	METAL CHIP	100	5%	1/10W		R931 1-216-845-11 METAL CHIP 100K 5% 1/10W
R706	1-216-174-00	RES-CHIP	100	5%	1/8W		R932 1-216-845-11 METAL CHIP 100K 5% 1/10W
R707	1-216-809-11	METAL CHIP	100	5%	1/10W		R933 1-216-845-11 METAL CHIP 100K 5% 1/10W
R708	1-216-809-11	METAL CHIP	100	5%	1/10W		R934 1-216-845-11 METAL CHIP 100K 5% 1/10W
R709	1-216-809-11	METAL CHIP	100	5%	1/10W		R935 1-216-845-11 METAL CHIP 100K 5% 1/10W
R801	1-216-833-11	METAL CHIP	10K	5%	1/10W		R936 1-216-845-11 METAL CHIP 100K 5% 1/10W
R802	1-216-833-11	METAL CHIP	10K	5%	1/10W		R937 1-216-845-11 METAL CHIP 100K 5% 1/10W
R803	1-216-797-11	METAL CHIP	10	5%	1/10W		R938 1-216-845-11 METAL CHIP 100K 5% 1/10W
R804	1-216-797-11	METAL CHIP	10	5%	1/10W		R939 1-216-845-11 METAL CHIP 100K 5% 1/10W
R805	1-249-429-11	CARBON	10K	5%	1/4W		R940 1-216-845-11 METAL CHIP 100K 5% 1/10W
R806	1-249-429-11	CARBON	10K	5%	1/4W		R942 1-249-414-11 CARBON 560 5% 1/4W
R807	1-216-797-11	METAL CHIP	10	5%	1/10W		R943 1-216-818-11 METAL CHIP 560 5% 1/10W
							R944 1-249-433-11 CARBON 22K 5% 1/4W
							R945 1-249-433-11 CARBON 22K 5% 1/4W
							R946 1-249-441-11 CARBON 100K 5% 1/4W
							R947 1-249-441-11 CARBON 100K 5% 1/4W
							R948 1-216-845-11 METAL CHIP 100K 5% 1/10W

PANEL **POWER**

Ref. No.	Part No.	Description	Remark	Ref. No.	Part No.	Description	Remark
R949	1-216-845-11	METAL CHIP	100K 5% 1/10W	S801	1-786-396-11	SW, RTRY EC12E24604-30MM (VOLUME)	
R950	1-249-441-11	CARBON	100K 5% 1/4W	S802	1-786-396-11	SW, RTRY EC12E24604-30MM (BASS)	
R951	1-249-441-11	CARBON	100K 5% 1/4W	S803	1-786-418-11	SW, RTRY RE0123PVB30F (MULTI JOG)	
R952	1-216-845-11	METAL CHIP	100K 5% 1/10W	S804	1-477-824-11	ENCODER, ROTARY (TREBLE, MIDDLE)	
R953	1-216-845-11	METAL CHIP	100K 5% 1/10W			< VARIABLE RESISTOR >	
R954	1-249-419-11	CARBON	1.5K 5% 1/4W	VR401	1-227-502-11	RES, VAR, CARBON 10K (MIC MIXING)	(E, E51, SP, AUS)
R955	1-249-441-11	CARBON	100K 5% 1/4W			< VIBRATOR >	
R957	1-249-441-11	CARBON	100K 5% 1/4W	X901	1-760-252-12	VIBRATOR, CRYSTAL (32.768kHz)	
R958	1-218-463-11	RES-CHIP	8.2M 5% 1/10W	X902	1-795-880-11	VIBRATOR, CERAMIC (8.64MHz)	
R959	1-216-853-11	METAL CHIP	470K 5% 1/10W			*****	
R960	1-216-809-11	METAL CHIP	100 5% 1/10W	A-4734-177-A		POWER BOARD, COMPLETE (AEP, UK, CIS)	
R961	1-216-821-11	METAL CHIP	1K 5% 1/10W	A-4734-293-A		POWER BOARD, COMPLETE (E51)	
R962	1-216-821-11	METAL CHIP	1K 5% 1/10W	A-4734-952-A		POWER BOARD, COMPLETE (E, SP)	
R963	1-216-821-11	METAL CHIP	1K 5% 1/10W	A-4734-959-A		POWER BOARD, COMPLETE (AUS)	
R964	1-216-833-11	METAL CHIP	10K 5% 1/10W			*****	
R972	1-216-864-11	SHORT CHIP	0			< CAPACITOR >	
R973	1-216-864-11	SHORT CHIP	0	C5	1-165-621-11	CERAMIC CHIP	0.1uF 50V
R974	1-216-864-11	SHORT CHIP	0	C6	1-165-621-11	CERAMIC CHIP	0.1uF 50V
R975	1-216-864-11	SHORT CHIP	0	C7	1-165-621-11	CERAMIC CHIP	0.1uF 50V
R976	1-216-864-11	SHORT CHIP	0	C8	1-165-621-11	CERAMIC CHIP	0.1uF 50V
R977	1-216-864-11	SHORT CHIP	0	C11	1-126-955-11	ELECT	4700uF 20% 35V
R978	1-216-864-11	SHORT CHIP	0	C12	1-126-955-11	ELECT	4700uF 20% 35V
R979	1-216-864-11	SHORT CHIP	0	C14	1-127-814-11	ELECT	3300uF 20% 80V
R980	1-216-864-11	SHORT CHIP	0			(E51)	
R981	1-216-864-11	SHORT CHIP	0	C14	1-135-929-21	ELECT	3300uF 20% 80V
R986	1-216-864-11	SHORT CHIP	0			(EXCEPT E51)	
		< SWITCH/ROTARY ENCODER >		C15	1-127-814-11	ELECT	3300uF 20% 80V
S301	1-762-875-21	SWITCH, KEYBOARD (i-BASS)				(E51)	
S302	1-762-875-21	SWITCH, KEYBOARD (SURROUND)		C15	1-135-929-21	ELECT	3300uF 20% 80V
S303	1-762-875-21	SWITCH, KEYBOARD				(EXCEPT E51)	
		(◀◀ TUNING DOWN ◀◀)		C15	1-127-814-11	ELECT	3300uF 20% 80V
S304	1-762-875-21	SWITCH, KEYBOARD (■)				(E51)	
S305	1-762-875-21	SWITCH, KEYBOARD (◀▶ DIRECTION)		C18	1-130-777-00	MYLAR	0.1uF 10% 100V
S306	1-762-875-21	SWITCH, KEYBOARD (■)		C19	1-130-777-00	MYLAR	0.1uF 10% 100V
S307	1-762-875-21	SWITCH, KEYBOARD (TUNING UP ▶▶▶ ▶▶▶)		C22	1-126-960-11	ELECT	1uF 20% 50V
S308	1-762-875-21	SWITCH, KEYBOARD (ALBUM ▼, PTY)		C23	1-126-957-11	ELECT	0.22uF 20% 50V
		(AEP, UK)		C24	1-126-947-11	ELECT	47uF 20% 25V
S308	1-762-875-21	SWITCH, KEYBOARD (ALBUM ▼)		C25	1-162-966-11	CERAMIC CHIP	0.0022uF 10% 50V
		(EXCEPT AEP, UK)		C26	1-162-968-11	CERAMIC CHIP	0.0047uF 10% 50V
S309	1-762-875-21	SWITCH, KEYBOARD (ALBUM ▲)		C30	1-162-961-11	CERAMIC CHIP	330PF 10% 50V
S311	1-762-875-21	SWITCH, KEYBOARD (HEAVY)		C31	1-162-961-11	CERAMIC CHIP	330PF 10% 50V
S312	1-762-875-21	SWITCH, KEYBOARD (VOCAL)		C33	1-126-967-11	ELECT	47uF 20% 50V
S313	1-762-875-21	SWITCH, KEYBOARD (SALASA)		C34	1-128-552-51	ELECT	47uF 20% 63V
S314	1-762-875-21	SWITCH, KEYBOARD (REC PAUSE/START)		C35	1-164-344-11	CERAMIC CHIP	0.068uF 10% 25V
S315	1-762-875-21	SWITCH, KEYBOARD (CD SYNC)		C37	1-128-552-51	ELECT	47uF 20% 63V
S316	1-762-875-21	SWITCH, KEYBOARD (MANUAL)		C38	1-162-959-11	CERAMIC CHIP	330PF 5% 50V
S317	1-762-875-21	SWITCH, KEYBOARD (HIP POP)		C40	1-162-961-11	CERAMIC CHIP	330PF 10% 50V
S318	1-762-875-21	SWITCH, KEYBOARD (TECHNO)		C41	1-126-967-11	ELECT	47uF 20% 50V
S319	1-762-875-21	SWITCH, KEYBOARD (MODE)		C42	1-162-945-11	CERAMIC CHIP	22PF 5% 50V
S320	1-762-875-21	SWITCH, KEYBOARD (ENTER)		C43	1-162-959-11	CERAMIC CHIP	330PF 5% 50V
S321	1-762-875-21	SWITCH, KEYBOARD		C45	1-162-961-11	CERAMIC CHIP	330PF 10% 50V
		(POWER ⏻ STANDBY/ON)		C501	1-162-974-11	CERAMIC CHIP	0.01uF 50V
S322	1-762-875-21	SWITCH, KEYBOARD (DISPLAY)		C502	1-162-974-11	CERAMIC CHIP	0.01uF 50V
S323	1-762-875-21	SWITCH, KEYBOARD (TAPE A/B)		C503	1-164-156-11	CERAMIC CHIP	0.1uF 25V
S324	1-762-875-21	SWITCH, KEYBOARD (TUNER BAND)		C504	1-164-156-11	CERAMIC CHIP	0.1uF 25V
S325	1-762-875-21	SWITCH, KEYBOARD (MD (VIDEO))		C505	1-100-152-11	CERAMIC CHIP	100PF 5% 100V
S326	1-762-875-21	SWITCH, KEYBOARD (CD)		C506	1-100-152-11	CERAMIC CHIP	100PF 5% 100V

POWER

Ref. No.	Part No.	Description	Remark	Ref. No.	Part No.	Description	Remark
C507	1-100-152-11	CERAMIC CHIP	100PF 5% 100V	D19	6-500-334-01	DIODE MC2836	
C508	1-100-152-11	CERAMIC CHIP	100PF 5% 100V	D20	6-500-335-01	DIODE MC2838	
C509	1-164-733-11	CERAMIC CHIP	820PF 10% 50V	D23	8-719-988-61	DIODE 1SS355TE-17	
C510	1-164-733-11	CERAMIC CHIP	820PF 10% 50V	D24	8-719-988-61	DIODE 1SS355TE-17	
C511	1-126-966-11	ELECT	33uF 20% 35V	D25	8-719-083-66	DIODE UDZSTE-1718B	
C512	1-126-966-11	ELECT	33uF 20% 35V	D29	8-719-988-61	DIODE 1SS355TE-17	
C513	1-126-965-11	ELECT	22uF 20% 50V	D30	8-719-083-52	DIODE UDZS-TE17-16B	
C514	1-126-965-11	ELECT	22uF 20% 50V	D31	8-719-988-61	DIODE 1SS355TE-17	
C517	1-126-957-11	ELECT	0.22uF 20% 50V	D32	8-719-988-61	DIODE 1SS355TE-17	
C517	1-126-959-11	ELECT	0.47uF 20% 50V (AEP, UK, CIS)	D33	8-719-988-61	DIODE 1SS355TE-17	
C518	1-126-957-11	ELECT	0.22uF 20% 50V (AEP, UK, CIS)	D34	8-719-988-61	DIODE 1SS355TE-17	
C518	1-126-959-11	ELECT	0.47uF 20% 50V (E, E51, SP, AUS)	D35	8-719-988-61	DIODE 1SS355TE-17	
C519	1-164-733-11	CERAMIC CHIP	820PF 10% 50V	D36	8-719-988-61	DIODE 1SS355TE-17	
C520	1-164-733-11	CERAMIC CHIP	820PF 10% 50V	D37	8-719-988-61	DIODE 1SS355TE-17	
C521	1-126-959-11	ELECT	0.47uF 20% 50V (AEP, UK, CIS)	D38	8-719-988-61	DIODE 1SS355TE-17	
C521	1-126-963-11	ELECT	4.7uF 20% 50V (E, E51, SP, AUS)	D39	8-719-988-61	DIODE 1SS355TE-17	
C522	1-126-959-11	ELECT	0.47uF 20% 50V (AEP, UK, CIS)	D40	8-719-988-61	DIODE 1SS355TE-17	
C522	1-126-963-11	ELECT	4.7uF 20% 50V (E, E51, SP, AUS)	D41	8-719-312-08	DIODE FMB-G16L	
C523	1-164-156-11	CERAMIC CHIP	0.1uF 25V	D42	8-719-312-08	DIODE FMB-G16L	
C524	1-165-621-11	CERAMIC CHIP	0.1uF 50V	D501	6-500-334-01	DIODE MC2836	
C525	1-165-621-11	CERAMIC CHIP	0.1uF 50V	D502	6-500-334-01	DIODE MC2836	
C526	1-165-621-11	CERAMIC CHIP	0.1uF 50V	D503	6-500-335-01	DIODE MC2838	
C527	1-165-621-11	CERAMIC CHIP	0.1uF 50V	D504	6-500-335-01	DIODE MC2838	
C529	1-126-961-11	ELECT	2.2uF 20% 50V	D505	8-719-970-83	DIODE HSS82-TJ	
C530	1-164-156-11	CERAMIC CHIP	0.1uF 25V	D506	8-719-970-83	DIODE HSS82-TJ	
C531	1-104-665-11	ELECT	100uF 20% 10V	D507	8-719-988-61	DIODE 1SS355TE-17	
C532	1-162-966-11	CERAMIC CHIP	0.0022uF 10% 50V	D508	8-719-988-61	DIODE 1SS355TE-17	
C533	1-162-966-11	CERAMIC CHIP	0.0022uF 10% 50V	D509	6-500-335-01	DIODE MC2838	
C534	1-165-621-11	CERAMIC CHIP	0.1uF 50V	D510	6-500-334-01	DIODE MC2836	
C535	1-165-621-11	CERAMIC CHIP	0.1uF 50V	D511	8-719-988-61	DIODE 1SS355TE-17	
C538	1-165-112-11	CERAMIC CHIP	0.33uF 16V	D512	8-719-988-61	DIODE 1SS355TE-17	
C540	1-107-714-11	ELECT	10uF 20% 16V	D513	8-719-988-61	DIODE 1SS355TE-17	
C541	1-165-621-11	CERAMIC CHIP	0.1uF 50V	D514	8-719-988-61	DIODE 1SS355TE-17	
C542	1-165-621-11	CERAMIC CHIP	0.1uF 50V	D515	8-719-083-71	DIODE UDZSTE-1730B	
C543	1-165-621-11	CERAMIC CHIP	0.1uF 50V			< GROUND TERMINAL >	
C544	1-165-621-11	CERAMIC CHIP	0.1uF 50V	* EP01	1-537-738-21	TERMINAL, EARTH	
		< CONNECTOR >		* EP501	1-537-738-21	TERMINAL, EARTH	
CN501	1-778-981-21	CONNECTOR, BOARD TO BOARD 13P				< TERMINAL BOARD >	
CN502	1-778-981-21	CONNECTOR, BOARD TO BOARD 13P		JK503	1-694-877-21	TERMINAL BOARD (8P) (FRONT SPEAKER, SURROUND SPEAKER)	
		< DIODE >				< SHORT >	
D1	6-500-360-01	DIODE D10XB20		JR2	1-216-864-11	SHORT CHIP 0	
D2	6-500-340-01	DIODE G5SBA60L-6088		JR511	1-216-864-11	SHORT CHIP 0	
D11	8-719-988-61	DIODE 1SS355TE-17		JR512	1-216-864-11	SHORT CHIP 0	
D12	6-500-334-01	DIODE MC2836		JR513	1-216-296-11	SHORT CHIP 0	
D13	6-500-335-01	DIODE MC2838		JR514	1-216-864-11	SHORT CHIP 0	
D16	6-500-335-01	DIODE MC2838		JR515	1-216-864-11	SHORT CHIP 0	
D17	6-500-334-01	DIODE MC2836		JR516	1-216-864-11	SHORT CHIP 0	
D18	6-500-335-01	DIODE MC2838		JR517	1-216-864-11	SHORT CHIP 0	
						< COIL >	
				L501	1-422-009-13	COIL, AIR-CORE	
				L502	1-422-009-13	COIL, AIR-CORE	

POWER

Ref. No.	Part No.	Description	Remark	Ref. No.	Part No.	Description	Remark
< TRANSISTOR >				R8	1-216-842-11	METAL CHIP	56K 5% 1/10W
Q5	6-550-289-01	TRANSISTOR	2SA1235F	R9	1-216-842-11	METAL CHIP	56K 5% 1/10W
Q6	8-729-120-28	TRANSISTOR	2SC1623-L5L6	R10	1-216-821-11	METAL CHIP	1K 5% 1/10W
Q7	8-729-120-28	TRANSISTOR	2SC1623-L5L6	R11	1-216-821-11	METAL CHIP	1K 5% 1/10W
Q8	8-729-120-28	TRANSISTOR	2SC1623-L5L6	R12	1-216-833-11	METAL CHIP	10K 5% 1/10W
Q9	8-729-120-28	TRANSISTOR	2SC1623-L5L6	R13	1-216-206-00	RES-CHIP	2.2K 5% 1/8W
Q10	6-550-316-01	TRANSISTOR	2SB792A (RS)	R14	1-218-867-11	METAL CHIP	6.8K 5% 1/10W
Q11	8-729-055-91	TRANSISTOR	SRA2202SF	R16	1-216-821-11	METAL CHIP	1K 5% 1/10W
Q12	6-550-646-01	TRANSISTOR	2SC3143K4/K5-TB	R17	1-216-821-11	METAL CHIP	1K 5% 1/10W
Q13	6-550-316-01	TRANSISTOR	2SB792A (RS)	R18	1-216-809-11	METAL CHIP	100 5% 1/10W
Q17	6-550-289-01	TRANSISTOR	2SA1235F	R19	1-216-835-11	METAL CHIP	15K 5% 1/10W
Q18	6-550-040-01	FET	2SK3053	R20	1-216-833-11	METAL CHIP	10K 5% 1/10W
Q19	6-550-040-01	FET	2SK3053	R21	1-216-835-11	METAL CHIP	15K 5% 1/10W
Q20	6-550-317-01	TRANSISTOR	2SD814A (RS)	R22	1-216-839-11	METAL CHIP	33K 5% 1/10W
Q21	8-729-120-28	TRANSISTOR	2SC1623-L5L6	R23	1-216-839-11	METAL CHIP	33K 5% 1/10W
Q22	6-550-316-01	TRANSISTOR	2SB792A (RS)	R26	1-216-827-11	METAL CHIP	3.3K 5% 1/10W
Q23	6-550-289-01	TRANSISTOR	2SA1235F	R27	1-216-833-11	METAL CHIP	10K 5% 1/10W
Q24	6-550-289-01	TRANSISTOR	2SA1235F	R28	1-216-198-00	RES-CHIP	1K 5% 1/8W
Q501	6-550-320-01	TRANSISTOR	2SD2562	R29	1-216-138-00	METAL CHIP	3.3 5% 1/8W
Q502	6-550-320-01	TRANSISTOR	2SD2562	R31	1-216-296-11	SHORT CHIP	0
Q503	6-550-319-01	TRANSISTOR	2SB1649	R32	1-216-839-11	METAL CHIP	33K 5% 1/10W
Q504	6-550-319-01	TRANSISTOR	2SB1649	R33	1-216-833-11	METAL CHIP	10K 5% 1/10W
Q505	6-550-316-01	TRANSISTOR	2SB792A (RS)	R34	1-216-844-11	METAL CHIP	82K 5% 1/10W
Q506	6-550-316-01	TRANSISTOR	2SB792A (RS)	R35	1-216-839-11	METAL CHIP	33K 5% 1/10W
Q507	8-729-120-28	TRANSISTOR	2SC1623-L5L6	R36	1-216-833-11	METAL CHIP	10K 5% 1/10W
Q508	8-729-120-28	TRANSISTOR	2SC1623-L5L6	R37	1-216-844-11	METAL CHIP	82K 5% 1/10W
Q509	8-729-120-28	TRANSISTOR	2SC1623-L5L6	R38	1-216-833-11	METAL CHIP	10K 5% 1/10W
Q510	8-729-120-28	TRANSISTOR	2SC1623-L5L6	R39	1-216-845-11	METAL CHIP	100K 5% 1/10W
Q511	6-550-413-01	TRANSISTOR	2SC3478LK	R40	1-216-833-11	METAL CHIP	10K 5% 1/10W
Q512	6-550-413-01	TRANSISTOR	2SC3478LK	R41	1-216-827-11	METAL CHIP	3.3K 5% 1/10W
Q513	6-550-413-01	TRANSISTOR	2SC3478LK	R42	1-216-827-11	METAL CHIP	3.3K 5% 1/10W
Q514	6-550-413-01	TRANSISTOR	2SC3478LK	R43	1-216-827-11	METAL CHIP	3.3K 5% 1/10W
Q515	6-550-317-01	TRANSISTOR	2SD814A (RS)	R44	1-216-244-00	RES-CHIP	82K 5% 1/8W
Q516	6-550-317-01	TRANSISTOR	2SD814A (RS)	R45	1-216-841-11	METAL CHIP	47K 5% 1/10W
Q517	6-550-316-01	TRANSISTOR	2SB792A (RS)	R46	1-216-841-11	METAL CHIP	47K 5% 1/10W
Q518	6-550-316-01	TRANSISTOR	2SB792A (RS)	R47	1-216-837-11	METAL CHIP	22K 5% 1/10W
Q519	6-550-316-01	TRANSISTOR	2SB792A (RS)	R48	1-216-849-11	METAL CHIP	220K 5% 1/10W
Q520	6-550-316-01	TRANSISTOR	2SB792A (RS)	R49	1-216-849-11	METAL CHIP	220K 5% 1/10W
Q521	8-729-120-28	TRANSISTOR	2SC1623-L5L6	R50	1-216-833-11	METAL CHIP	10K 5% 1/10W
Q522	8-729-120-28	TRANSISTOR	2SC1623-L5L6	R51	1-216-823-11	METAL CHIP	1.5K 5% 1/10W
Q523	8-729-120-28	TRANSISTOR	2SC1623-L5L6	R52	1-216-841-11	METAL CHIP	47K 5% 1/10W
Q524	8-729-120-28	TRANSISTOR	2SC1623-L5L6	R53	1-216-827-11	METAL CHIP	3.3K 5% 1/10W
Q525	8-729-422-35	TRANSISTOR	2SD601A-S-TX	R54	1-216-835-11	METAL CHIP	15K 5% 1/10W
Q526	8-729-422-35	TRANSISTOR	2SD601A-S-TX	R55	1-249-419-11	CARBON	1.5K 5% 1/4W
Q527	6-550-289-01	TRANSISTOR	2SA1235F	R56	1-216-204-00	RES-CHIP	1.8K 5% 1/8W
Q529	8-729-120-28	TRANSISTOR	2SC1623-L5L6	R58	1-216-186-00	RES-CHIP	330 5% 1/8W
Q530	6-550-289-01	TRANSISTOR	2SA1235F	R59	1-216-184-00	RES-CHIP	270 5% 1/8W
Q532	8-729-120-28	TRANSISTOR	2SC1623-L5L6	R60	1-216-826-11	METAL CHIP	2.7K 5% 1/10W
Q533	6-550-296-01	TRANSISTOR	2SA1980G	R61	1-216-827-11	METAL CHIP	3.3K 5% 1/10W
Q534	6-550-296-01	TRANSISTOR	2SA1980G	R62	1-216-833-11	METAL CHIP	10K 5% 1/10W
Q535	6-550-296-01	TRANSISTOR	2SA1980G	R63	1-216-833-11	METAL CHIP	10K 5% 1/10W
Q536	6-550-289-01	TRANSISTOR	2SA1235F	R64	1-216-827-11	METAL CHIP	3.3K 5% 1/10W
< RESISTOR >				R65	1-216-073-00	RES-CHIP	10K 5% 1/10W
R4	1-216-829-11	METAL CHIP	4.7K 5% 1/10W	R66	1-216-073-00	RES-CHIP	10K 5% 1/10W
R6	1-216-842-11	METAL CHIP	56K 5% 1/10W	R67	1-216-089-11	RES-CHIP	47K 5% 1/10W
R7	1-216-842-11	METAL CHIP	56K 5% 1/10W	R68	1-216-073-00	RES-CHIP	10K 5% 1/10W
				R69	1-216-833-11	METAL CHIP	10K 5% 1/10W

POWER

Ref. No.	Part No.	Description		Remark	Ref. No.	Part No.	Description		Remark
R70	1-216-835-11	METAL CHIP	15K	5%	1/10W	R512	1-216-821-11	METAL CHIP	1K 5% 1/10W
R71	1-216-833-11	METAL CHIP	10K	5%	1/10W	R513	1-218-867-11	METAL CHIP	6.8K 5% 1/10W
R72	1-216-829-11	METAL CHIP	4.7K	5%	1/10W	R514	1-218-867-11	METAL CHIP	6.8K 5% 1/10W
R73	1-216-244-00	RES-CHIP	82K	5%	1/8W	R515	1-216-813-11	METAL CHIP	220 5% 1/10W
R74	1-216-238-11	RES-CHIP	47K	5%	1/8W				
R75	1-216-825-11	METAL CHIP	2.2K	5%	1/10W	R516	1-216-813-11	METAL CHIP	220 5% 1/10W
R76	1-216-827-11	METAL CHIP	3.3K	5%	1/10W	R517	1-216-804-11	METAL CHIP	39 5% 1/10W
R77	1-216-827-11	METAL CHIP	3.3K	5%	1/10W	R518	1-216-804-11	METAL CHIP	39 5% 1/10W
R78	1-216-234-00	RES-CHIP	33K	5%	1/8W	R519	1-216-804-11	METAL CHIP	39 5% 1/10W
R79	1-216-830-11	METAL CHIP	5.6K	5%	1/10W	R520	1-216-804-11	METAL CHIP	39 5% 1/10W
R81	1-249-431-11	CARBON	15K	5%	1/4W	R521	1-216-824-11	METAL CHIP	1.8K 5% 1/10W
R82	1-216-835-11	METAL CHIP	15K	5%	1/10W	R522	1-216-824-11	METAL CHIP	1.8K 5% 1/10W
R83	1-216-214-00	RES-CHIP	4.7K	5%	1/8W	R523	1-216-825-11	METAL CHIP	2.2K 5% 1/10W
R85	1-216-825-11	METAL CHIP	2.2K	5%	1/10W	R524	1-216-825-11	METAL CHIP	2.2K 5% 1/10W
R86	1-216-210-00	RES-CHIP	3.3K	5%	1/8W	R525	1-216-821-11	METAL CHIP	1K 5% 1/10W
R90	1-216-222-00	RES-CHIP	10K	5%	1/8W	R526	1-216-821-11	METAL CHIP	1K 5% 1/10W
R91	1-216-176-00	RES-CHIP	120	5%	1/8W	R527	1-216-841-11	METAL CHIP	47K 5% 1/10W
R92	1-216-210-00	RES-CHIP	3.3K	5%	1/8W	R528	1-216-841-11	METAL CHIP	47K 5% 1/10W
R93	1-216-210-00	RES-CHIP	3.3K	5%	1/8W	R529	1-216-829-11	METAL CHIP	4.7K 5% 1/10W
R94	1-216-833-11	METAL CHIP	10K	5%	1/10W	R530	1-216-829-11	METAL CHIP	4.7K 5% 1/10W
R95	1-216-837-11	METAL CHIP	22K	5%	1/10W	R531	1-216-823-11	METAL CHIP	1.5K 5% 1/10W
R96	1-216-214-00	RES-CHIP	4.7K	5%	1/8W	R532	1-216-823-11	METAL CHIP	1.5K 5% 1/10W
R97	1-216-825-11	METAL CHIP	2.2K	5%	1/10W	R533	1-216-809-11	METAL CHIP	100 5% 1/10W
R98	1-216-825-11	METAL CHIP	2.2K	5%	1/10W	R534	1-216-809-11	METAL CHIP	100 5% 1/10W
R99	1-216-210-00	RES-CHIP	3.3K	5%	1/8W	R535	1-216-809-11	METAL CHIP	100 5% 1/10W
R100	1-216-138-00	METAL CHIP	3.3	5%	1/8W	R536	1-216-809-11	METAL CHIP	100 5% 1/10W
R102	1-216-208-00	RES-CHIP	2.7K	5%	1/8W	R537	1-216-198-00	RES-CHIP	1K 5% 1/8W
R103	1-216-244-00	RES-CHIP	82K	5%	1/8W	R538	1-216-198-00	RES-CHIP	1K 5% 1/8W
R104	1-216-244-00	RES-CHIP	82K	5%	1/8W	R539	1-216-833-11	METAL CHIP	10K 5% 1/10W
R105	1-216-244-00	RES-CHIP	82K	5%	1/8W	R540	1-216-833-11	METAL CHIP	10K 5% 1/10W
R106	1-216-244-00	RES-CHIP	82K	5%	1/8W	R541	1-216-206-00	RES-CHIP	2.2K 5% 1/8W
R107	1-216-244-00	RES-CHIP	82K	5%	1/8W	R542	1-216-206-00	RES-CHIP	2.2K 5% 1/8W
R108	1-216-244-00	RES-CHIP	82K	5%	1/8W	R543	1-216-206-00	RES-CHIP	2.2K 5% 1/8W
R109	1-216-244-00	RES-CHIP	82K	5%	1/8W	R544	1-216-206-00	RES-CHIP	2.2K 5% 1/8W
R110	1-216-244-00	RES-CHIP	82K	5%	1/8W	R545	1-216-809-11	METAL CHIP	100 5% 1/10W
R500	1-216-829-11	METAL CHIP	4.7K	5%	1/10W	R546	1-216-809-11	METAL CHIP	100 5% 1/10W
△ R501	1-216-381-11	METAL OXIDE	0.22	5%	3W F (E51)	R547	1-216-838-11	METAL CHIP	27K 5% 1/10W
△ R501	1-245-545-11	METAL OXIDE	0.22	5%	3W F (EXCEPT E51)	R548	1-216-838-11	METAL CHIP	27K 5% 1/10W
△ R502	1-216-381-11	METAL OXIDE	0.22	5%	3W F (E51)	R549	1-216-816-11	METAL CHIP	390 5% 1/10W (E, E51, SP, AUS)
△ R502	1-245-545-11	METAL OXIDE	0.22	5%	3W F (EXCEPT E51)	R549	1-216-817-11	METAL CHIP	470 5% 1/10W (AEP, UK, CIS)
△ R503	1-216-381-11	METAL OXIDE	0.22	5%	3W F (E51)	R550	1-216-816-11	METAL CHIP	390 5% 1/10W (E, E51, SP, AUS)
△ R503	1-245-545-11	METAL OXIDE	0.22	5%	3W F (EXCEPT E51)	R550	1-216-817-11	METAL CHIP	470 5% 1/10W (AEP, UK, CIS)
△ R504	1-216-381-11	METAL OXIDE	0.22	5%	3W F (E51)	R553	1-216-838-11	METAL CHIP	27K 5% 1/10W
△ R504	1-245-545-11	METAL OXIDE	0.22	5%	3W F (EXCEPT E51)	R554	1-216-838-11	METAL CHIP	27K 5% 1/10W
R505	1-216-809-11	METAL CHIP	100	5%	1/10W	R555	1-216-841-11	METAL CHIP	47K 5% 1/10W (AEP, UK, CIS)
R506	1-216-809-11	METAL CHIP	100	5%	1/10W	R555	1-216-845-11	METAL CHIP	100K 5% 1/10W (E, E51, SP, AUS)
R507	1-216-822-11	METAL CHIP	1.2K	5%	1/10W	R556	1-216-841-11	METAL CHIP	47K 5% 1/10W (AEP, UK, CIS)
R508	1-216-822-11	METAL CHIP	1.2K	5%	1/10W	R556	1-216-845-11	METAL CHIP	100K 5% 1/10W (E, E51, SP, AUS)
R509	1-216-826-11	METAL CHIP	2.7K	5%	1/10W	R557	1-216-821-11	METAL CHIP	1K 5% 1/10W
R510	1-216-826-11	METAL CHIP	2.7K	5%	1/10W	R558	1-216-821-11	METAL CHIP	1K 5% 1/10W
R511	1-216-821-11	METAL CHIP	1K	5%	1/10W	R559	1-216-828-11	METAL CHIP	3.9K 5% 1/10W
						R560	1-216-828-11	METAL CHIP	3.9K 5% 1/10W

The components identified by mark △ or dotted line with mark △ are critical for safety. Replace only with part number specified.

POWER

SENSOR

SW

TRANSFORMER

Ref. No.	Part No.	Description	Remark	Ref. No.	Part No.	Description	Remark
R561	1-216-843-11	METAL CHIP	68K 5%		1-687-669-11	SW BOARD	
R562	1-216-857-11	METAL CHIP	1M 5%			*****	
R563	1-216-214-00	RES-CHIP	4.7K 5%			< SWITCH >	
R564	1-216-214-00	RES-CHIP	4.7K 5%				
R567	1-216-214-00	RES-CHIP	4.7K 5%		S751	1-786-514-11	SWITCH, LEVER (SLIDE)
R568	1-216-214-00	RES-CHIP	4.7K 5%				(OPEN/CLOSE DETECT)
R569	1-216-853-11	METAL CHIP	470K 5%				*****
R570	1-260-076-21	CARBON	10 5%				
R571	1-260-076-21	CARBON	10 5%			1-688-760-12	TRANSFORMER BOARD (AEP, UK, CIS, E51)
R572	1-216-156-00	RES-CHIP	18 5%			1-688-960-11	TRANSFORMER BOARD (E, SP, AUS)
R573	1-216-156-00	RES-CHIP	18 5%				*****
R574	1-216-182-00	RES-CHIP	220 5%		*	1-533-213-31	FUSE HOLDER
R575	1-216-829-11	METAL CHIP	4.7K 5%				< CAPACITOR >
R576	1-216-837-11	METAL CHIP	22K 5%				
R577	1-216-829-11	METAL CHIP	4.7K 5%		C901	1-164-156-11	CERAMIC CHIP 0.1uF 25V
R578	1-216-182-00	RES-CHIP	220 5%		C902	1-126-941-11	ELECT 470uF 20% 25V
R579	1-216-156-00	RES-CHIP	18 5%				< CONNECTOR >
R580	1-216-150-11	RES-CHIP	10 5%				
R581	1-216-246-00	RES-CHIP	100K 5%		CN901	1-564-321-00	PIN, CONNECTOR (3.96mm PITCH) 2P
R582	1-216-156-00	RES-CHIP	18 5%		* CN902	1-764-334-11	PLUG, CONNECTOR 11P
R586	1-216-182-00	RES-CHIP	220 5%				< DIODE >
R587	1-216-182-00	RES-CHIP	220 5%				
R588	1-216-821-11	METAL CHIP	1K 5%		D901	8-719-988-61	DIODE 1SS355TE-17 (E51)
R589	1-216-829-11	METAL CHIP	4.7K 5%		D902	8-719-988-61	DIODE 1SS355TE-17
R591	1-216-841-11	METAL CHIP	47K 5%		D903	8-719-988-61	DIODE 1SS355TE-17
R592	1-216-835-11	METAL CHIP	15K 5%		D904	8-719-988-61	DIODE 1SS355TE-17
R593	1-216-833-11	METAL CHIP	10K 5%		D905	8-719-988-61	DIODE 1SS355TE-17
R594	1-216-833-11	METAL CHIP	10K 5%		D906	8-719-988-61	DIODE 1SS355TE-17 (EXCEPT E51)
△ R595	1-245-546-11	METAL OXIDE	0.47 5%	1W F			< TRANSFORMER >
△ R596	1-245-546-11	METAL OXIDE	0.47 5%	1W F			
△ R597	1-245-546-11	METAL OXIDE	0.47 5%	1W F			
△ R598	1-245-546-11	METAL OXIDE	0.47 5%	1W F	△ PT902	1-439-735-11	TRANSFORMER, POWER (AEP, UK, CIS)
R599	1-216-841-11	METAL CHIP	47K 5%	1/10W	△ PT902	1-439-736-11	TRANSFORMER, POWER (E51)
R601	1-216-156-00	RES-CHIP	18 5%	1/8W	△ PT902	1-439-976-11	TRANSFORMER, POWER (E, SP, AUS)
R602	1-216-156-00	RES-CHIP	18 5%	1/8W			< RELAY >
R603	1-216-156-00	RES-CHIP	18 5%	1/8W	△ RY901	1-755-496-11	RELAY (E51)
R604	1-216-156-00	RES-CHIP	18 5%	1/8W	△ RY902	1-755-276-11	RELAY, POWER (EXCEPT E51)
		< RELAY >					< SWITCH >
RY501	1-755-308-11	RELAY			△ S901	1-786-404-11	SW, SL 1-2-2 SWS2201 (AC VOLTAGE) (E, SP)
RY502	1-755-373-11	RELAY			△ S901	1-786-408-11	SW, SL 1-2-3 SWS2301 (AC VOLTAGE) (E51)
		< THERMISTOR >					*****
TH501	1-805-217-11	THERMISTOR (1012)					MISCELLANEOUS
TH502	1-805-217-11	THERMISTOR (1012)					*****

	1-687-132-11	SENSOR BOARD			58	1-769-889-11	WIRE (FLAT TYPE) (7 CORE)
		*****			63	1-773-322-11	WIRE (FLAT TYPE) (31 CORE)
		< CONNECTOR >			64	1-769-976-11	WIRE (FLAT TYPE) (13 CORE)
					65	1-769-919-11	WIRE (FLAT TYPE) (9 CORE)
					68	1-827-399-11	WIRE (FLAT TYPE) (3 CORE) (E, E51, SP, AUS)
CN731	1-785-329-21	PIN, CONNECTOR (LIGHT ANGLE) 3P			106	1-796-487-41	DECK, MECHANICAL (CWM43RR23)
		< IC >			253	1-693-626-11	TUNER (FM/AM) (AEP, UK)
					253	1-693-627-11	TUNER (FM/AM) (CIS)
					253	1-693-628-11	TUNER (FM/AM) (E, E51, SP, AUS)
IC731 (not supplied)					△ 302	1-690-608-11	COED, POWER (AUS)
		*****			△ 302	1-777-071-83	CORD, POWER (AEP, CIS, E51, SP)
					△ 302	1-783-532-11	CORD, POWER (UK)

The components identified by mark △ or dotted line with mark △ are critical for safety. Replace only with part number specified.

CX-JT8

Ref. No.	Part No.	Description	Remark
△ 302	1-792-948-12	CORD, POWER (E)	
308	1-769-939-11	WIRE (FLAT TYPE) (11 CORE) (CIS, E, E51, SP, AUS)	
308	1-773-003-11	WIRE (FLAT TYPE) (15 CORE) (AEP, UK)	
309	1-827-146-11	WIRE (FLAT TYPE) (19 CORE)	
509	1-776-182-11	WIRE (FLAT TYPE) (5 CORE)	
602	1-471-035-11	MAGNET ASSY	
△ 657	8-820-020-11	OPTICAL PICK-UP KSS-213D/Z-RP	
658	1-823-859-11	WIRE (FLAT TYPE) (16 CORE)	
△ F902	1-533-469-11	FUSE, GLASS TUBE (DIA. 5) (T2.5AL/250V)	
△ F905	1-576-655-11	FUSE, GLASS TUBE (DIA. 5) (T8AL/250V)	
△ F906	1-576-655-11	FUSE, GLASS TUBE (DIA. 5) (T8AL/250V)	
M701	X-2625-769-1	GEAR ASSY (MB) (RP), MOTOR (SLED)	
M702	X-2161-802-1	CHASSIS ASSY (DCP), T. T (SPINDLE)	
M741	A-4723-963-A	MOTOR ASSY, TABLE	
M731	1-763-072-11	FAN, DC	
M751	A-4736-655-A	MOTOR ASSY, LOADING	
△ PT901	1-439-940-11	TRANSFORMER, POWER (E, SP, AUS)	
△ PT901	1-439-787-11	TRANSFORMER, POWER (E51)	
△ PT901	1-439-789-11	TRANSFORMER, POWER (AEP, UK, CIS)	
S711	1-477-680-11	ENCODER, ROTARY (DISC TRAY ADDRESS DETECT)	

ACCESSORIES

△	1-569-008-12	ADAPTOR, CONVERSION 2P (E51)
△	1-770-019-51	ADAPTOR, CONVERSION PLUG (UK)

The components identified by mark △ or dotted line with mark △ are critical for safety. Replace only with part number specified.